

Perpetual Enterprises Inc.

EDUCATOR S³



List Price

Effective June 1, 2014

Table of Contents

| | | |
|-------------------------------------|-------|-----------|
| Warranty | ----- | 4 |
| Finishes | ----- | 5 |
| Educator 135 | ----- | 6 |
| Educator S³ | ----- | 7 |
| Educator S³ | ----- | 8 |
| Educator D | ----- | 9 |
| Desks | ----- | 10 |
| Desk cont. | ----- | 11 |
| Desk cont. | ----- | 12 |
| Hutch Units | ----- | 13 |
| Pedestals | ----- | 14 |
| Pedestal Tables | ----- | 15 |
| Vertical Safety Interlock | ----- | 16 |
| Vertical File | ----- | 17 |
| ED Vertical Files | ----- | 18 |
| Lateral File - Full Pull | ----- | 19 |
| Lateral File - Recessed Pull | ----- | 20 |
| Bookcases | ----- | 21 |
| Storage Towers | ----- | 22 |
| Stadium Lockers | ----- | 23 |
| Accessories | ----- | 24 |

LIFETIME WARRANTY

Perpetual Enterprises, Inc.

WARRANTY STATEMENT

A. The following warranty applies to products manufactured by Perpetual Enterprises, Inc. This warranty is given to the initial purchaser and is valid for as long as the product is owned by the original buyer. The warranty, which runs from the date of manufacture, covers defects in materials and craftsmanship found during normal usage of product (s) during the warranty period. If a product is defective, and if written notice of the defect is given to the Company **within** the applicable warranty period, the Company will either repair or replace the defective product with a comparable component or product. The Applicable Warranty Periods are:

| Product (s) | Applicable Warranty Period |
|--------------------|-----------------------------------|
| All Products | Lifetime* |

*The applicable warranty period assumes that the product is used an average of not more than 40 hours per week. If a product is used more than this, the Applicable Warranty Period shall be reduced in proportion to the increased usage.

B. This warranty does not apply to “normal wear and tear”, abuse, damage caused by a carrier, damage caused by transport of product from one site or location to another, alterations to the product not expressly authorized by Seller, nor to products considered to be of a consumable nature such as light bulbs, light ballasts and surge suppression products. It also does not apply to “Customers Own Material (i.e., material specified by Buyer that is not a standard Company product offering used in the manufacture of the Company’s products. The Company does not warrant the matching of color, grain or texture except to within commercially acceptable standards.

C. A product will not be considered defective, and Seller will not be obligated to replace it, if the product is not installed or used as recommended in the Company’s written planning, installation or user guides.

D. Except as stated above, the Company makes no expressed or implied warranties as to any product and in particular makes no warranty or fitness for any particular product except for use as standard office furniture. Product repair or replacement is the customer’s exclusive remedy for any and all product defects. Seller shall not be liable for consequential, economic or incidental damages arising from any product defect.

Finishes

HPL Laminates

| Standard Color | Wilsonart Number |
|------------------|------------------|
| • Solar Oak | • 7816-60 |
| • Montana Walnut | • 7110T-60 |
| • White Nebula | • 4621-60 |

All other laminates require a special quote.

Open pattern laminates by **Wilsonart** are readily available and can be furnished without extended lead-times. Wilsonart laminates are generally available at a minimal or no up-charge. Price will be determined by the pattern number and quantity ordered.

Other high pressure laminate manufacturers are available. However, they may require an extended lead time and generally require an up-charge. Call with specifics for lead-time and pricing.

Paint

| Standard Paint | Paint Number |
|----------------|--------------|
| • Black | • PC231 |
| • Putty | • PC232 |
| • Mercury | • PC233 |
| • Beige | • PC234 |
| • Graphite | • PC237 |

Other Finishes: Our powder coat finish supplier is a major vendor to the office furniture industry. This allows us to offer many of the colors (**20**) available through other manufacturers. Please call customer service with manufacturer's name and color number for availability. In most cases these colors are available at a minimal or no up-charge. Sample chips are available upon request.

Edge Trim

Colors

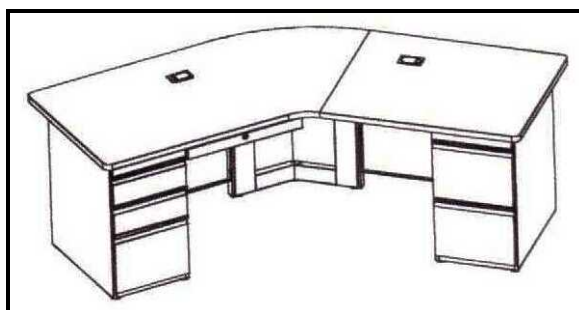
- | | |
|---------------|--|
| • Black | • T01 Black Standard unless otherwise specified |
| • Putty | • T02 *Minimum quantities may apply. |
| • Medium Grey | • T03 *Minimum quantities may apply. |

Educator 135 - Teachers Workstation

Features

- 29" High Units
- Tops are 1-1/4" thick high-pressure laminate
- 3mm vinyl edge band
- Full pulls standard
- Standard with central locking center drawer
- Standard with core removable locks
- Full extension steel ball bearing suspension
- 6" overhang allows teacher/student conferencing
- 135 degree angle allows teacher full visibility of classroom

Educator 135 - Double Pedestal Teachers Workstation



| Model | Size | Description | Cube | Weight | Price |
|-----------|----------|---|------|--------|------------|
| ES8430CAB | 84x30x29 | 36x30 BBF Ped Left Return, Curved Center Section, Center Drawer, 36x30 FF Ped Right Return, Central Locking | 43 | 310 | \$2,770.00 |
| ES8430CBA | 84x30x29 | 36x30 FF Ped Left Return, Curved Center Section, Center Drawer, 36x30 BBF Ped Right Return, Central Locking | 43 | 310 | \$2,770.00 |

Educator 135 - Single Pedestal Teachers Workstation

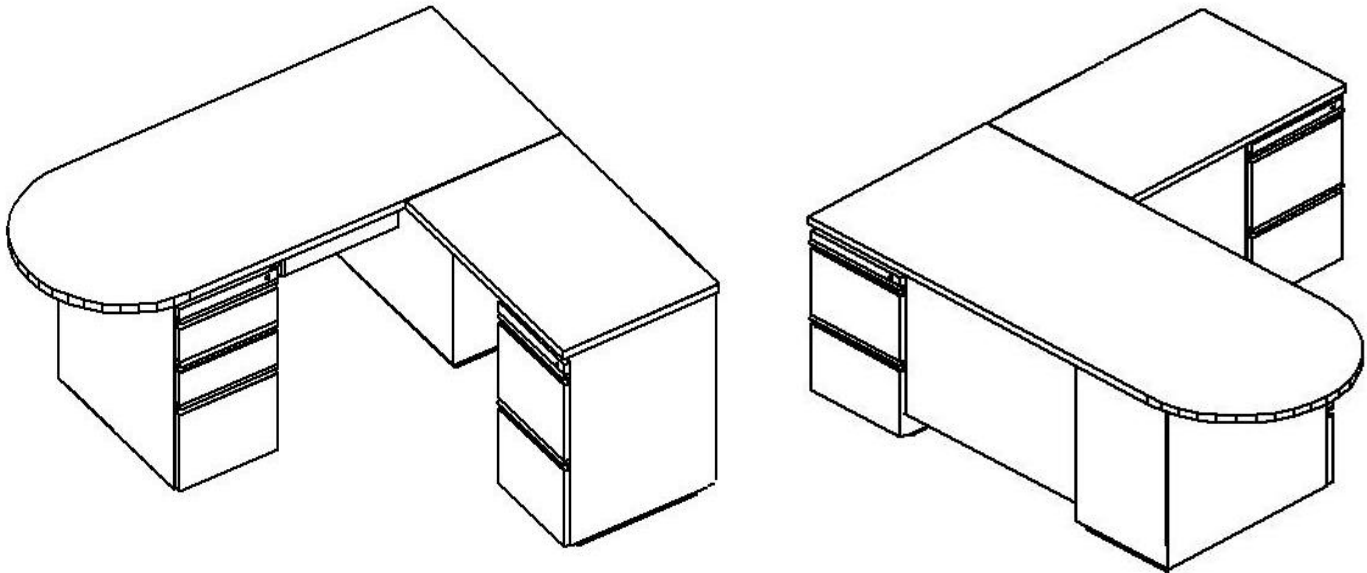
| Model | Size | Description | Cube | Weight | Price |
|-----------|----------|---|------|--------|------------|
| ES8430CAD | 84x30x29 | 36x30 BBF Ped Left Return w/ Center drawer & Central Locking, curved center section, 36x30 No ped. Return Right | 43 | 260 | \$2,393.00 |
| ES8430CDA | 84x30x29 | 36x30 No Ped. Return Left, curved center section, 36x30 BBF Ped. Return Right w/ Center Drawer & Central Locking | 43 | 260 | \$2,393.00 |
| ES8430CBD | 84x30x29 | 36x30 FF Ped Left return w/ Center Drawer & Central Locking, curved center section, 36x30 No ped. Return Right | 43 | 260 | \$2,351.00 |
| ES8430CDB | 84x30x29 | 36x30 No Ped. Return Left, Curved Center Section, 36x30 FF Ped. Return Right w/ Center Drawer & Central Locking, | 43 | 260 | \$2,351.00 |
| ES7230CAD | 72x30x29 | 72x30 one piece top with curved center section, BBF pedestal on left no pedestal on right with center drawer and central locking. | 36 | 260 | \$2,285.00 |
| ES7230CDA | 72x30x29 | 72x30 one piece top with curved center section, BBF pedestal on right no pedestal on left with center drawer and central locking. | 36 | 260 | \$2,285.00 |
| ES7230CBD | 72x30x29 | 72x30 one piece top with curved center section, FF pedestal on left no pedestal on right with center drawer and central locking. | 36 | 230 | \$2,249.00 |
| ES7230CDB | 72x30x29 | 72x30 one piece top with curved center section, FF pedestal on right no pedestal on left with center drawer and central locking. | 36 | 230 | \$2,249.00 |

Educator S³ - Triple Pedestal Desk D -Top

Features

- 29" High Units
- Tops are 1-1/4" thick high-pressure laminate
- 3mm edge band
- Full pulls standard
- Full depth full extension file drawer
- Standard with central locking center drawer
- Standard with core removable locks
- Ships as 2 units—main desk & return
- Steel ball bearing suspension
- 12" overhang allows Teacher / student conferencing
- 3 Pedestals for maximum storage
- 123.5" up to 150" of linier filing capacity
- 21 sq ft of Work surface area
- Grommets in Main Desk and Return

S³ - D Top Triple Pedestal Desk Right Return



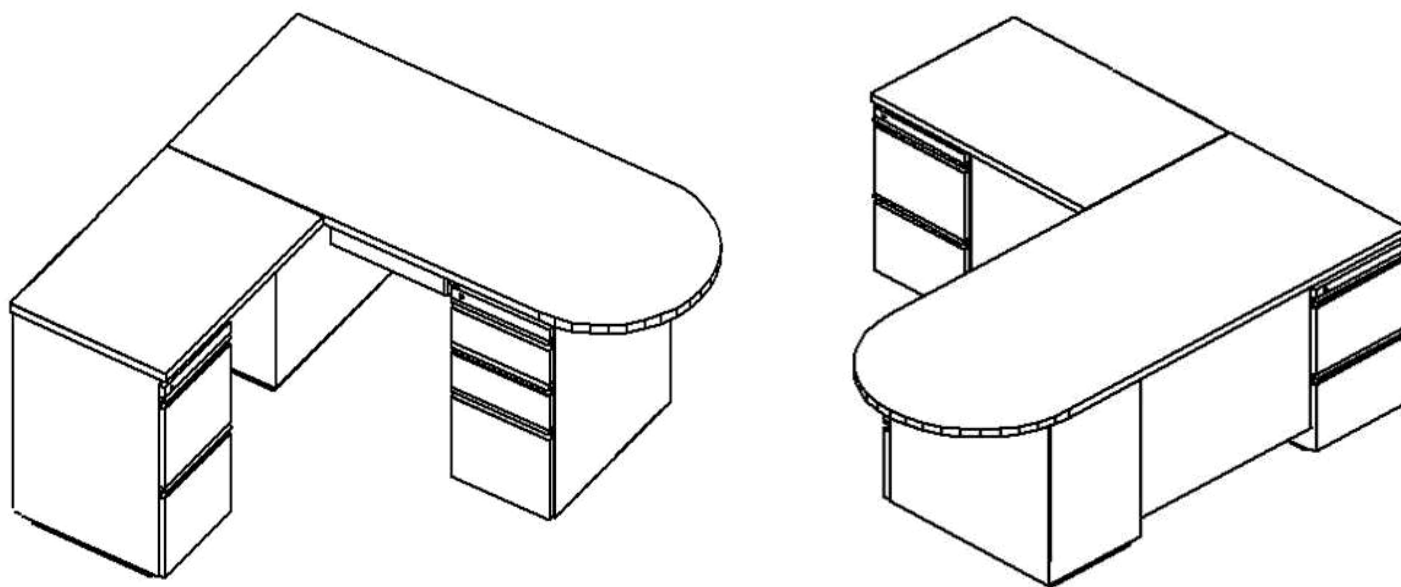
| Model | Size | Description | Cube | Weight | Price |
|----------|-------|---|------|--------|-------------|
| ES780CAG | 78x30 | 78 x 30 Main unit with Left pedestal Box / Box / File, Center drawer, Central locking. Right File / File locking pedestal facing forward. | 41 | 265 | \$ 3,107.00 |
| | 42x24 | Return 42 x 24 Right with File / File locking pedestal. | 24 | 155 | |
| ES780CBG | 78x30 | 78 x 30 Main unit with Left pedestal File / File, Center drawer, Central locking. Right File / File locking pedestal facing forward. | 41 | 265 | \$ 3,107.00 |
| | 42x24 | Return 42 x 24 Right with File / File locking pedestal. | 24 | 155 | |

Educator S³ - Triple Pedestal Desk D -Top

Features

- 29" High Units
- Tops are 1-1/4" thick high-pressure laminate
- 3mm edge band
- Full pulls standard
- Full depth full extension file drawer
- Standard with central locking center drawer
- Standard with core removable locks
- Ships as 2 units—main desk & return
- Steel ball bearing suspension
- 12" overhang allows Teacher / student conferencing
- 3 Pedestals for maximum storage
- 123.5" up to 150" of linier filing capacity
- 21 sq ft of Work surface area
- Grommets in Main Desk and Return

S³ - D Top Triple Pedestal Desk Left Return



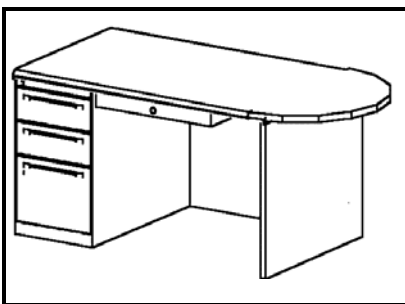
| Model | Size | Description | Cube | Weight | Price |
|----------|-------|---|------|--------|-------------|
| ES780CGA | 78x30 | 78 x 30 Main unit with Right pedestal Box / Box / File, Center drawer, Central locking. Left File / File locking pedestal facing forward. | 41 | 265 | \$ 3,107.00 |
| | 42x24 | Return 42x 24 Left with File / File locking pedestal. | 24 | 155 | |
| ES780CGB | 78x30 | 78 x 30 Main unit with Right pedestal File / File, Center drawer, Central locking and Left File / File locking pedestal facing forward. | 41 | 265 | \$ 3,107.00 |
| | 42x24 | Return 42x 24 Left with File / File locking pedestal. | 24 | 155 | |

Educator D - Top Desks

Features

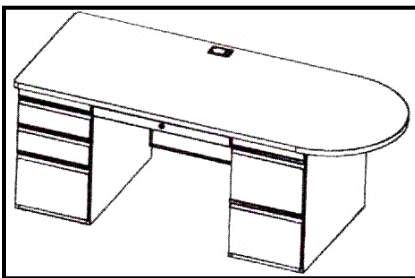
- 29" High Units
- Tops are 1 1/4" thick high-pressure laminate
- 3mm edge band
- Full pulls standard
- Full depth full extension file drawer
- Standard with central locking center drawer
- Standard with core removable locks
- Ships assembled
- Steel ball bearing suspension
- 12" overhang allows Teacher / student conferencing
- Bookcase unit has adjustable shelf

D - Top Single Pedestal Desk



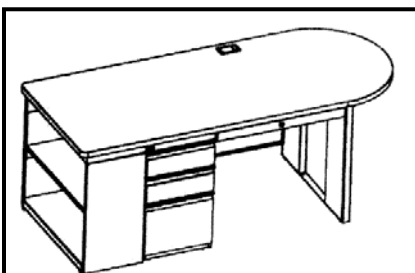
| Model | Size | Description | Cube | Weight | Price |
|----------|-------|---|------|--------|------------|
| ES603CAD | 60x30 | 60x30 Single pedestal desk with center drawer and central locking | 41 | 200 | \$1,391.00 |

D - Top Double Pedestal Desk



| Model | Size | Description | Cube | Weight | Price |
|----------|-------|---|------|--------|------------|
| ED723CAB | 72x30 | 72x30 Double pedestal desk with center drawer and central locking | 49 | 250 | \$1,828.00 |

D - Top Single Pedestal Desk with Bookcase



| Model | Size | Description | Cube | Weight | Price |
|------------|-------|---|------|--------|------------|
| ES723CBCAD | 72x30 | 72x30 Double pedestal desk with center drawer and central locking | 49 | 226 | \$1,683.00 |

Desks

Features

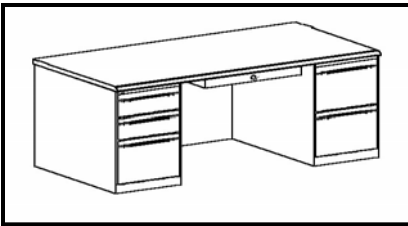
- 29" High Units
- Tops are 1-1/4" thick high-pressure laminate
- 3mm vinyl edge band
- Full pulls standard
- Standard with central locking
- Standard with core removable locks
- Ships assembled
- Grommets standard
- Specify pedestal configuration
- Full extension steel ball bearing suspension
- High side file drawers standard

Pedestal options

Double pedestal desks are standard with Box Box File & File File configuration. The Box Box File configuration is indicated by placing an **A** in the model number. File File configuration is indicated by placing a **B** in the model number. **Example:** PD663CAB is 66x30 Double Pedestal Desk with Box Box File left and File File right.

Single pedestal desks are standard with an **A** Box Box File configuration. To order this Desk with File File change *A* to a *B*. The single ped desk will have an end panel opposite the pedestal and is indicated with a **D** in the model number. **Example:** PS663CAD is 66x30 SP Desk with BBF left and an end panel on the right. The letter **C** in the model number designates a center drawer and central locking.

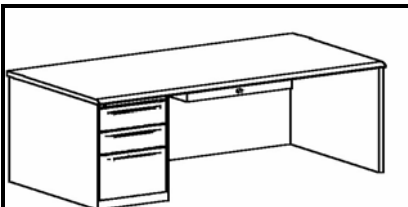
Double Pedestal Desk with AB or BA Configuration



- Pedestal Options:
AB Box/Box/File left & File/File right
BA File/File left & Box/Box/File right
AA Configuration Add \$18
AA Box/Box/File left & Box/Box/File right
BB Configuration Deduct \$11
BB File/File left & File/File right

| Model | Size | Description | Cube | Weight | Price |
|----------|-------|----------------------|------|--------|------------|
| PD726C__ | 72x36 | Double pedestal desk | 52 | 275 | \$1,966.00 |
| PD723C__ | 72x30 | Double pedestal desk | 49 | 265 | \$1,900.00 |
| PD663C__ | 66x30 | Double pedestal desk | 45 | 230 | \$1,885.00 |
| PD603C__ | 60x30 | Double pedestal desk | 41 | 220 | \$1,837.00 |
| PD724C__ | 72x24 | Double pedestal desk | 28 | 200 | \$1,764.00 |
| PD664C__ | 66x24 | Double pedestal desk | 40 | 195 | \$1,746.00 |
| PD604C__ | 60x24 | Double pedestal desk | 37 | 190 | \$1,704.00 |

Single Pedestal Desk with AD or DA Configuration



- Pedestal Options:
AD Box/Box/File left & end panel right
DA end panel left & Box/Box/File right
B configuration Deduct \$11.
DB end panel left & File/File right
BD File/File left & end panel right

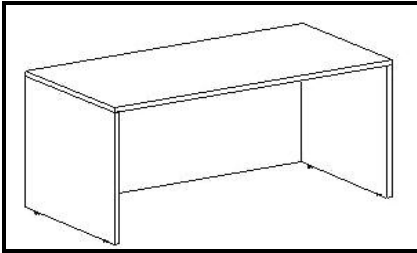
| Model | Size | Description | Cube | Weight | Price |
|----------|-------|----------------------|------|--------|------------|
| PS726C__ | 72x36 | Single pedestal desk | 52 | 225 | \$1,629.00 |
| PS723C__ | 72x30 | Single pedestal desk | 49 | 215 | \$1,512.00 |
| PS663C__ | 66x30 | Single pedestal desk | 45 | 200 | \$1,472.00 |
| PS603C__ | 60x30 | Single pedestal desk | 41 | 180 | \$1,448.00 |
| PS483C__ | 48x30 | Single pedestal desk | 28 | 165 | \$1,397.00 |
| PS724C__ | 72x24 | Single pedestal desk | 40 | 175 | \$1,442.00 |
| PS664C__ | 66x24 | Single pedestal desk | 37 | 170 | \$1,397.00 |
| PS604C__ | 60x24 | Single pedestal desk | 34 | 165 | \$1,343.00 |

Desks

Desk Shells

Features

- 29" High Units
- Tops are 1-1/4" thick high-pressure laminate
- 3mm vinyl edge band
- Grommets standard



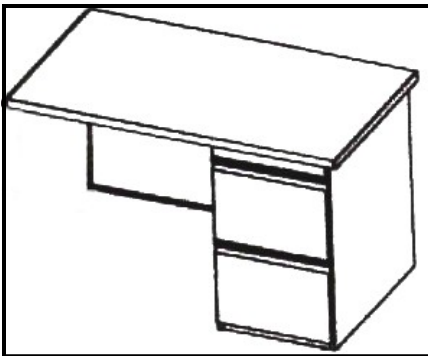
* Ships assembled

Optional Wire Management

Change the **D** in the model number to a **W** and a wire management channel will be provided in the end panel along with a removable cover to conceal and protect wire cabling.

| Model | Size | Description | Cube | Weight | Price |
|----------|-------|-------------|------|--------|------------|
| PD7260DD | 72x36 | Desk Shell | 52 | 122 | \$1,141.00 |
| PD7230DD | 72x30 | Desk Shell | 49 | 112 | \$1,086.00 |
| PD6630DD | 66x30 | Desk Shell | 45 | 110 | \$1,008.00 |
| PD6030DD | 60x30 | Desk Shell | 41 | 102 | \$ 961.00 |
| PD7240DD | 72x24 | Desk Shell | 28 | 115 | \$1,033.00 |
| PD6640DD | 66x24 | Desk Shell | 40 | 105 | \$ 958.00 |
| PD6040DD | 60x24 | Desk Shell | 37 | 90 | \$ 914.00 |
| PD4830DD | 48x30 | Desk Shell | 28 | 80 | \$ 897.00 |
| PD4840DD | 48x24 | Desk Shell | 28 | 70 | \$ 853.00 |

Returns - with Pedestal



| Model | Size | Description | Cube | Weight | Price |
|---------|-------|-----------------------|------|--------|------------|
| PR424OB | 42x24 | F/F Right ped. return | 24 | 155 | \$1,132.00 |
| PR424BO | 42x24 | F/F Left ped return | 24 | 155 | \$1,132.00 |
| PR484OB | 48x24 | F/F Right ped. return | 27 | 161 | \$1,159.00 |
| PR484BO | 48x24 | F/F Left ped return | 27 | 161 | \$1,159.00 |
| PR604OB | 60x24 | F/F Right ped. return | 34 | 175 | \$1,232.00 |
| PR604BO | 60x24 | F/F Left ped return | 34 | 175 | \$1,232.00 |

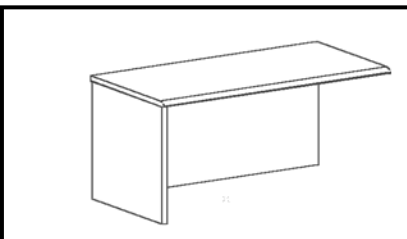
• Pedestal Options:

- OB No panel left & File/File right
- BO File/File left & No panel right

For a Box/Box/File configuration **ADD \$10.00**

- AO Box/Box/File left & No panel right
- OA No panel left & Box/Box/File right

Returns Shells

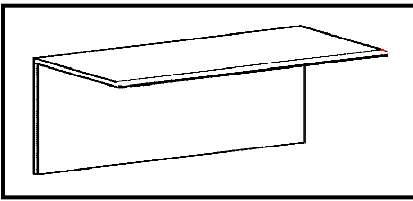


- OD No panel left & end panel right
- DO end panel left & No panel right

| Model | Size | Description | Cube | Weight | Price |
|---------|-------|--------------|------|--------|----------|
| PR4240D | 42x24 | Right return | 24 | 104 | \$639.00 |
| PR424D0 | 42x24 | Left return | 24 | 104 | \$639.00 |
| PR4840D | 48x24 | Right return | 27 | 110 | \$690.00 |
| PR484D0 | 48x24 | Left return | 27 | 110 | \$690.00 |
| PR6040D | 60x24 | Right return | 34 | 120 | \$765.00 |
| PR604D0 | 60x24 | Left return | 34 | 120 | \$765.00 |

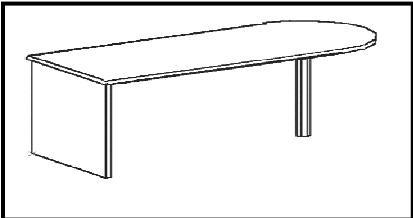
Desks continued

Bridge Units



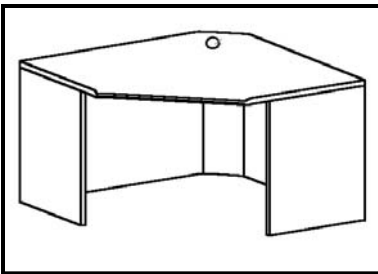
| Model | Size | Description | Cube | Weight | Price |
|---------|-------|-------------|------|--------|-----------|
| PB42400 | 42x24 | Bridge unit | 9 | 55 | \$ 593.00 |
| PB48400 | 48x24 | Bridge unit | 9 | 60 | \$ 618.00 |

D Shaped Tops



| Model | Size | Description | Cube | Weight | Price |
|--------|-------|-------------|------|--------|------------|
| PT 726 | 72x36 | D Top unit | 10 | 135 | \$1,527.00 |
| PT 723 | 72x30 | D Top unit | 9 | 121 | \$1,475.00 |
| PT 663 | 66x30 | D Top unit | 8 | 118 | \$1,403.00 |

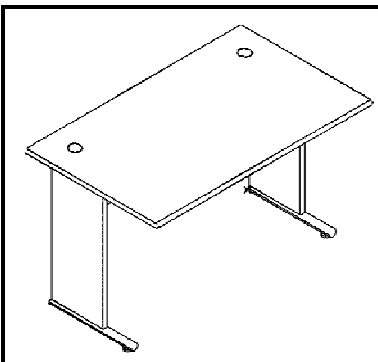
Corner Units



| Model | Size | Description | Cube | Weight | Price |
|---------|----------|-----------------|------|--------|------------|
| CR36364 | 36x36x24 | 36" Corner Unit | 17 | 102 | \$1,373.00 |
| CR42424 | 42x42x24 | 42" Corner Unit | 20 | 120 | \$1,490.00 |

- 29" High Unit * 36" unit 16.97" Straight Front
- 3MM Vinyl Edge * 42" unit 24.67 Straight Front
- Grommet standard * Ships assembled

C - Leg Desk Shell



| Model | Size | Description | Cube | Weight | Price |
|----------|-------|------------------|------|--------|-------------|
| PT483C30 | 48x30 | Desk Shell C-Leg | 25 | 150 | \$ 897.00 |
| PT603C30 | 60x30 | Desk Shell C-Leg | 32 | 160 | \$ 961.00 |
| PT663C30 | 66x30 | Desk shell C-leg | 35 | 170 | \$1,009 .00 |
| PT723C30 | 72x30 | Desk shell C-leg | 38 | 185 | \$1,087.00 |

Hutch Units

Features

- 15" deep
- 21" clearance from desktop to shelf
- Over the top flipper
- Shelf will accept task light
- Tackboard standard with Grade 1 fabric only
- Core removable locks
- Options - Shelf dividers / Open Back units

Specifying Hutch Units

Model number logic explanation: H36FT

H - Hutch

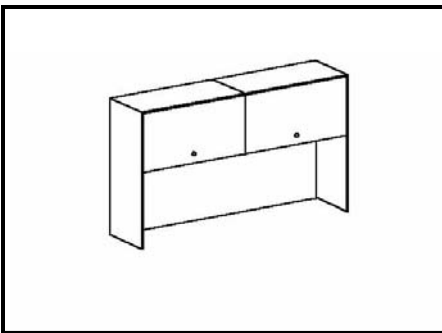
36 - 36" wide

F - Flipper Front

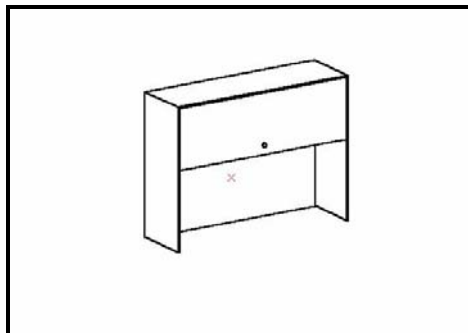
O - Open Front

T - Tackboard

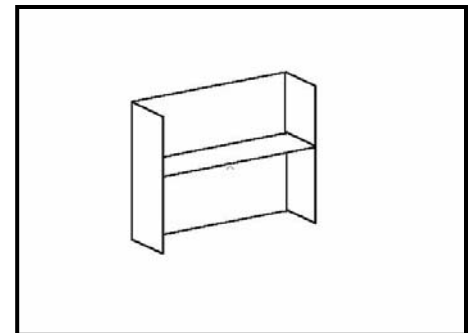
Double Door Closed Hutch



Single Door Closed Hutch



Open Hutch



Hutch Closed Door - with Tackboard

| Model | Size | Description | Cube | Weight | Price |
|-------|--------------------|-----------------------------------|------|--------|------------|
| H36FT | 36"Wx36.5"Hx15"D | Single Door closed Hutch w/ Lock | 11 | 85 | \$1,195.00 |
| H42FT | 42"Wx36.5"H x 15"D | Single Door closed Hutch w/ Lock | 13 | 91 | \$1,250.00 |
| H48FT | 48"W x 36.5"Hx15"D | Single Door closed Hutch w/ Lock | 15 | 96 | \$1,328.00 |
| H60FT | 60"W x 36.5"Hx15"D | Double Door closed Hutch w/ Locks | 19 | 111 | \$1,596.00 |
| H66FT | 66"W x 36.5"Hx15"D | Double Door closed Hutch w/ Locks | 21 | 125 | \$1,692.00 |
| H72FT | 72"W x 36.5"Hx15"D | Double Door closed Hutch w/ Locks | 23 | 137 | \$1,755.00 |

Hutch Open Shelf - with Tackboard

| Model | Size | Description | Cube | Weight | Price |
|-------|-------------------|-------------|------|--------|------------|
| H36FO | 36"Wx36.5"Hx 15"D | Open Hutch | 11 | 60 | \$ 765.00 |
| H42FO | 42"Wx36.5"Hx 15"D | Open Hutch | 13 | 73 | \$ 822.00 |
| H48FO | 48"W x36.5"Hx15"D | Open Hutch | 15 | 78 | \$ 885.00 |
| H60FO | 60"W x36.5"Hx15"D | Open Hutch | 19 | 91 | \$1,075.00 |
| H66FO | 66"W x36.5"Hx15"D | Open Hutch | 21 | 103 | \$1,147.00 |
| H72FO | 72"W x36.5"Hx15"D | Open Hutch | 23 | 115 | \$1,208.00 |

Pedestals

Features

- 20" -24" -30" Deep case
- Box/Box/File or File/File configuration
- Reinforced steel case
- 20 gauge steel case
- Adjustable glides standard on each corner
- Steel ball bearing suspensions

Specifying Pedestal

Model number logic explanation: PT24BBF-15

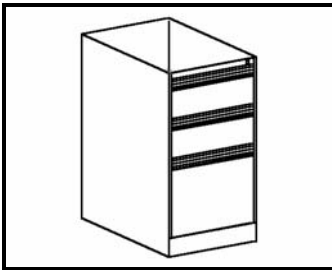
PT - Fixed Pedestal

24 - 24" deep

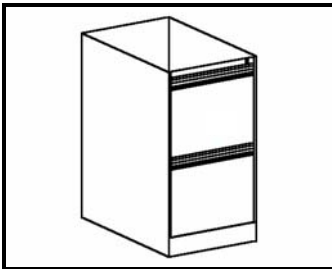
BBF - Box Box File

15 - 15" width

Heavy Duty Fixed Pedestal - 15" Wide Letter with Open Top

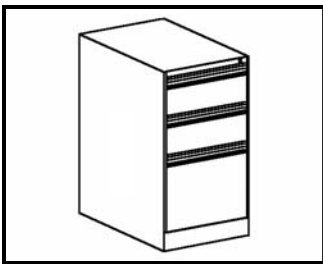


| Model | Size | Description | Cube | Weight | Price |
|------------|-------------------|------------------|------|--------|----------|
| PT20FF-15 | 20"d x 27"h x 15" | File / File | 8 | 60 | \$449.00 |
| PT20BBF-15 | 20"d x 27"h x 15" | Box / Box / File | 8 | 65 | \$488.00 |
| PT24FF-15 | 24"d x 27"h x 15" | File / File | 8 | 65 | \$476.00 |
| PT24BBF-15 | 24"d x 27"h x 15" | Box / Box / File | 8 | 70 | \$524.00 |
| PT30FF-15 | 30"d x 27"h x 15" | File / File | 8 | 70 | \$524.00 |
| PT30BBF-15 | 30"d x 27"h x 15" | Box / Box / File | 8 | 75 | \$569.00 |



Legal pedestals are available on a special order basis.

Heavy Duty Mobile Pedestal - 15" Wide Letter with Closed Top



| Model | Size | Description | Cube | Weight | Price |
|-------------|-------------------|------------------|------|--------|----------|
| PT24MFF-15 | 24"d x 27"h x 15" | File / File | 8 | 70 | \$574.00 |
| PT24MBBF-15 | 24"d x 27"h x 15" | Box / Box / File | 8 | 76 | \$624.00 |
| PT30MFF-15 | 30"d x 27"h x 15" | File / File | 8 | 76 | \$639.00 |
| PT30MBBF-15 | 30"d x 27"h x 15" | Box / Box / File | 8 | 81 | \$672.00 |



Mobile pedestals with **cushions** on top are available on a special order basis.

Pedestal Tables

Features

- 29" High with Adjustable Glides
- Assembly required
- Base Column Diameter 2", 14 Gauge
- Powder Coated Finish
- High Pressure Laminates, 3mm Radius
- Vinyl Edge or PVC Self Edge
-

Pedestal Table options

- Folding Leg Bases
- Flip Top Bases
- Ganging Hardware
- Bullnose Wood Edge
- Radius Wood Edge
- Special Sizes & Heights
- Adjustable Height Bases

Stationary Base Square



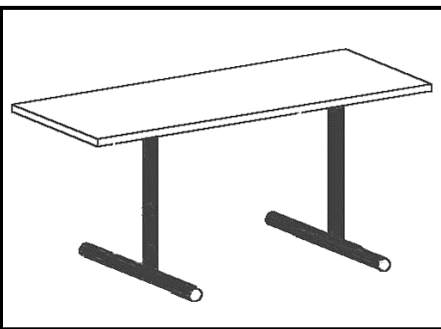
| Model | Size | Description | Cube | Weight | Price |
|-----------|-------|-------------|------|--------|-----------|
| PT303P26X | 30x30 | X-Base | 11 | 54 | \$ 654.00 |
| PT366P32X | 36x36 | X-Base | 13 | 70 | \$ 690.00 |

Stationary Base Round



| Model | Size | Description | Cube | Weight | Price |
|-----------|---------|-------------|------|--------|------------|
| PT300P26X | 30" RND | X-Base | 11 | 48 | \$ 663.00 |
| PT360P32X | 36" RND | X-Base | 13 | 60 | \$ 696.00 |
| PT420P32X | 42" RND | X-Base | 14 | 73 | \$ 934.00 |
| PT480P38X | 48" RND | X-Base | 15 | 93 | \$ 970.00 |
| PT600P38X | 60" RND | X-Base | 18 | 110 | \$1,168.00 |

Stationary Base Rectangular



| Model | Size | Description | Cube | Weight | Price |
|----------|-------|-------------|------|--------|------------|
| PT488P16 | 48x18 | T-Base | 8 | 58 | \$ 855.00 |
| PT608P16 | 60x18 | T-Base | 9 | 65 | \$ 919.00 |
| PT364P20 | 36x24 | T-Base | 7 | 60 | \$ 789.00 |
| PT484P20 | 48x24 | T-Base | 8 | 69 | \$ 867.00 |
| PT604P20 | 60x24 | T-Base | 9 | 78 | \$ 928.00 |
| PT483P26 | 48x30 | T-Base | 8 | 80 | \$ 913.00 |
| PT603P26 | 60x30 | T-Base | 10 | 92 | \$ 979.00 |
| PT663P26 | 66x30 | T-Base | 11 | 96 | \$1,033.00 |
| PT723P26 | 72x30 | T-Base | 12 | 104 | \$1,039.00 |

Vertical Files - Safety Interlock

Features

- 28" Deep case
- Available in letter or legal width
- Reinforced steel base
- 4 vertical uprights
- Adjustable glides standard on each corner
- Standard with core removable locks
- Full extension steel ball bearing suspension
- All drawers standard high sides to accommodate hanging folders
- Full width pulls standard
- **Automatic positive safety interlock system**

Specifying Vertical Files

Model number logic explanation: VLF1143

VLF - Vertical file

1 - 28" deep file

1 - Letter width (15")

4 - Legal width (18")

2 - 2 drawers

3 - 3 drawers

4 - 4 drawers

5 - 5 drawers

3 - Lock / Safety Interlock

Vertical Files - Letter - Heavy Duty - Safety Interlock - 1100 Series - 28" Deep



| Model | Size | Description | Cube | Weight | Price |
|----------|-----------|---------------------------|------|--------|------------|
| VFL 1123 | 28h x 15w | 2 Drawer Letter with lock | 10 | 70 | \$ 651.00 |
| VFL 1133 | 40h x 15w | 3 Drawer Letter with lock | 14 | 93 | \$ 831.00 |
| VFL 1143 | 52h x 15w | 4 Drawer Letter with lock | 18 | 121 | \$1,036.00 |
| VFL 1153 | 62h x 15w | 5 Drawer Letter with lock | 21 | 150 | \$1,226.00 |

Vertical Files - Legal - Heavy Duty - Safety Interlock - 1400 Series - 28" Deep



| Model | Size | Description | Cube | Weight | Price |
|----------|-----------|--------------------------|------|--------|------------|
| VFL 1423 | 28h x 18w | 2 Drawer Legal with lock | 12 | 77 | \$ 675.00 |
| VFL 1433 | 40h x 18w | 3 Drawer Legal with lock | 16 | 101 | \$ 873.00 |
| VFL 1443 | 52h x 18w | 4 Drawer Legal with lock | 20 | 132 | \$1,075.00 |
| VFL 1453 | 62h x 18w | 5 Drawer Legal with lock | 25 | 152 | \$1,271.00 |

Special File Configurations are available on a special order basis.

Vertical Files

Features

- 28" Deep case
- Available in letter or legal width
- Reinforced steel base
- 4 vertical uprights
- Adjustable glides standard on each corner
- Standard with core removable locks
- Full extension steel ball bearing suspension
- All drawers standard high sides to accommodate hanging folders
- Full width pulls standard
- **No Safety Interlock**

Specifying Vertical Files

Model number logic explanation: VLF1143

VLF - Vertical file

1 - 28" deep file

1 - Letter width (15")

4 - Legal width (18")

2 - 2 drawers

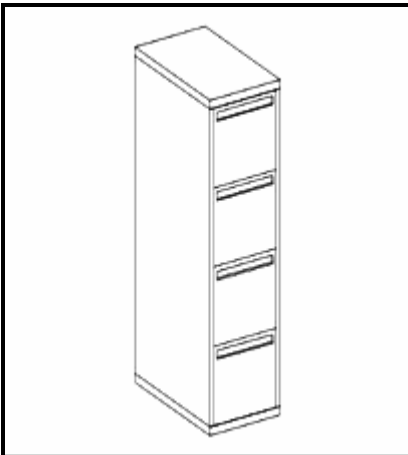
3 - 3 drawers

4 - 4 drawers

5 - 5 drawers

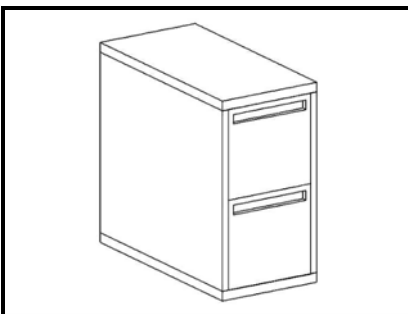
2 - Lock

Vertical Files - Letter - Heavy Duty 1100 Series - 28" Deep



| Model | Size | Description | Cube | Weight | Price |
|----------|-----------|---------------------------|------|--------|------------|
| VFL 1122 | 28h x 15w | 2 Drawer Letter with lock | 10 | 70 | \$ 593.00 |
| VFL 1132 | 40h x 15w | 3 Drawer Letter with lock | 14 | 93 | \$ 753.00 |
| VFL 1142 | 52h x 15w | 4 Drawer Letter with lock | 18 | 121 | \$ 946.00 |
| VFL 1152 | 62h x 15w | 5 Drawer Letter with lock | 21 | 150 | \$1,108.00 |

Vertical Files - Legal - Heavy Duty 1400 Series - 28" Deep



| Model | Size | Description | Cube | Weight | Price |
|----------|-----------|--------------------------|------|--------|------------|
| VFL 1422 | 28h x 18w | 2 Drawer Legal with lock | 12 | 77 | \$ 612.00 |
| VFL 1432 | 40h x 18w | 3 Drawer Legal with lock | 16 | 101 | \$ 789.00 |
| VFL 1442 | 52h x 18w | 4 Drawer Legal with lock | 20 | 132 | \$ 970.00 |
| VFL 1452 | 62h x 18w | 5 Drawer Legal with lock | 25 | 152 | \$1,150.00 |

Special File Configurations are available on a special order basis.

ED Vertical Files

Features

- 28.75" Deep case
- Available in letter or legal width
- 18 gauge full bottom
- 4 vertical uprights
- Adjustable glides standard on each corner
- Standard with core removable locks
- Full extension steel ball bearing suspension
- All drawers standard high sides w/ movable follower block
- Recessed pulls standard available with optional J pull
- Safety interlock standard

Specifying Vertical Files

Model number logic explanation: EDV1142

EDV - Vertical file

1 - 28" deep file

1 - Letter width (14.88")

4 - Legal width (17.88")

2 - 2 drawers

3 - 3 drawers

4 - 4 drawers

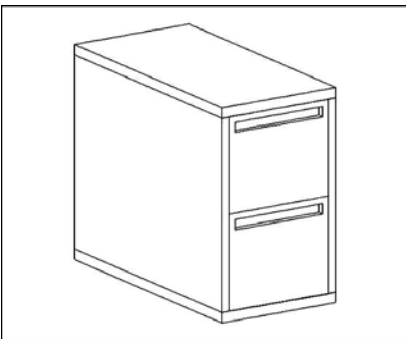
5 - 5 drawers

Vertical Files - Letter - 28.75" Deep



| Model | Size | Description | Cube | Weight | Price |
|----------|-----------------|---------------------------|------|--------|-------------|
| EDV 1122 | 24.88h x 14.88w | 2 Drawer Letter with lock | 7.8 | 81 | \$ 675.00 |
| EDV 1132 | 35.38h x 14.88w | 3 Drawer Letter with lock | 10.8 | 115 | \$ 753.00 |
| EDV 1142 | 47.38h x 14.88w | 4 Drawer Letter with lock | 14.3 | 141 | \$ 946.00 |
| EDV 1152 | 57.88h x 14.88w | 5 Drawer Letter with lock | 17.3 | 160 | \$ 1,108.00 |

Vertical Files - Legal - 28.75" Deep



| Model | Size | Description | Cube | Weight | Price |
|----------|-----------------|--------------------------|------|--------|-------------|
| EDV 1422 | 24.88h x 17.88w | 2 Drawer Legal with lock | 7.8 | 81 | \$ 780.00 |
| EDV 1432 | 35.38h x 17.88w | 3 Drawer Legal with lock | 10.8 | 115 | \$ 922.00 |
| EDV 1442 | 47.38h x 17.88w | 4 Drawer Legal with lock | 14.3 | 141 | \$ 1,111.00 |
| EDV 1452 | 57.88h x 17.88w | 5 Drawer Legal with lock | 17.3 | 160 | \$ 1,326.00 |

Special File Configurations are available on a special order basis.

Lateral Files - Full Pull

Features

- 30" 36" 42" width case
- File letter or legal width hanging folders
- Reinforced steel base
- 4 vertical uprights
- Adjustable glides standard on each corner
- Safety interlock standard
- Full extension steel ball bearing suspension
- Standard with sides-to-side bars to accommodate hanging folders
- Full width pulls standard
- Optional counter balance kit

Specifying Lateral Files

Model number logic explanation: LF3642

LF - Lateral file

30 - 30" wide file

36 - 36" wide file

42 - 42" wide file

2 - 2 drawers

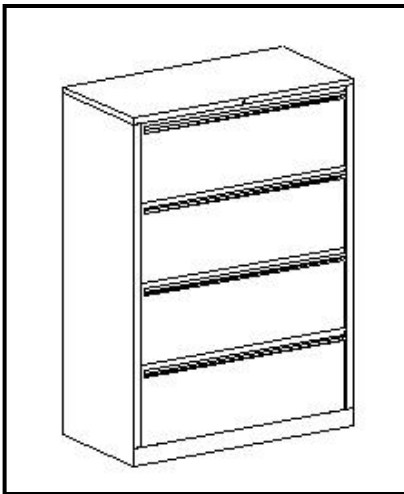
3 - 3 drawers

4 - 4 drawers

5 - 5 drawers

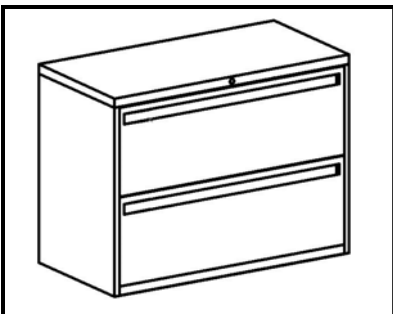
2 - Lock

Lateral Files - Heavy Duty LF Series - 30", 36", 42" Width



| Model | Size | Description | Cube | Weight | Price |
|---------|-------------|------------------------|------|--------|------------|
| LF 3022 | 27.5h x 18d | 2 Drawer 30" with lock | 12.3 | 131 | \$ 979.00 |
| LF 3032 | 39.5h x 18d | 3 Drawer 30" with lock | 16.7 | 152 | \$1,295.00 |
| LF 3042 | 51.5h x 18d | 4 Drawer 30" with lock | 20.8 | 168 | \$1,605.00 |
| LF 3052 | 63.5h x 18d | 5 Drawer 30" with lock | 25.1 | 201 | \$1,915.00 |
| CW30 | | Counter Balance Kit | | | \$ 160.00 |

| Model | Size | Description | Cube | Weight | Price |
|---------|-------------|------------------------|------|--------|------------|
| LF 3622 | 27.5h x 18d | 2 Drawer 36" with lock | 14.4 | 140 | \$1,081.00 |
| LF 3632 | 39.5h x 18d | 3 Drawer 36" with lock | 19.6 | 168 | \$1,442.00 |
| LF 3642 | 51.5h x 18d | 4 Drawer 36" with lock | 24.7 | 186 | \$1,828.00 |
| LF 3652 | 63.5h x 18d | 5 Drawer 36" with lock | 29.9 | 211 | \$2,059.00 |
| CW36 | | Counter Balance Kit | | | \$ 184.00 |



| Model | Size | Description | Cube | Weight | Price |
|---------|-------------|------------------------|------|--------|------------|
| LF 4222 | 27.5h x 18d | 2 Drawer 42" with lock | 16.6 | 154 | \$1,244.00 |
| LF 4232 | 39.5h x 18d | 3 Drawer 42" with lock | 22.6 | 180 | \$1,635.00 |
| LF 4242 | 51.5h x 18d | 4 Drawer 42" with lock | 28.6 | 227 | \$2,047.00 |
| LF 4252 | 63.5h x 18d | 5 Drawer 42" with lock | 34.6 | 232 | \$2,430.00 |
| CW42 | | Counter Balance Kit | | | \$ 199.00 |

Lateral files are limited to the following colors:

Beige, Black, Graphite,
Mercury, Putty

| Model | Size | Description | Cube | Weight | Price |
|--------|------|-----------------------|------|--------|----------|
| FTBR | | Front to Back Bars | | | \$ 52.00 |
| LATDIV | | Lateral File Dividers | | | \$ 52.00 |
| MLH | | Magnetic Label Holder | | | \$ 31.00 |

Lateral Files - Recessed Pull

Features

- 30", 36", 42" width case
- File letter or legal width hanging folders
- Reinforced steel base
- 4 vertical uprights
- Adjustable glides standard on each corner
- Safety interlock standard
- Full extension steel ball bearing suspension
- Standard with sides-to-side bars to accommodate hanging folders
- Recessed pulls standard
- Optional counter balance kit

Specifying Lateral Files

Model number logic explanation: LR3642

LR - Lateral file

30 - 30" wide file

36 - 36" wide file

42 - 42" wide file

2 - 2 drawers

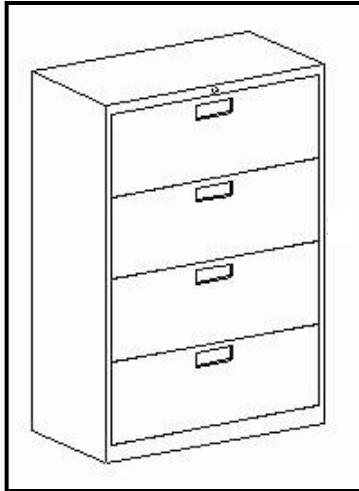
3 - 3 drawers

4 - 4 drawers

5 - 5 drawers

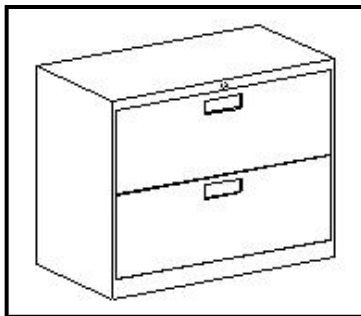
2 - Lock

Lateral Files - LR Series - 30", 36", 42" Width



| Model | Size | Description | Cube | Weight | Price |
|---------|-------------|------------------------|------|--------|------------|
| LR 3022 | 27.5h x 18d | 2 Drawer 30" with lock | 12.3 | 131 | \$ 928.00 |
| LR 3032 | 39.5h x 18d | 3 Drawer 30" with lock | 16.7 | 152 | \$1,192.00 |
| LR 3042 | 51.5h x 18d | 4 Drawer 30" with lock | 20.8 | 168 | \$1,484.00 |
| LR 3052 | 63.5h x 18d | 5 Drawer 30" with lock | 25.1 | 201 | \$1,764.00 |
| CW30 | | Counter Balance Kit | | | \$ 160.00 |

| Model | Size | Description | Cube | Weight | Price |
|---------|-------------|------------------------|------|--------|------------|
| LR 3622 | 27.5h x 18d | 2 Drawer 36" with lock | 14.4 | 140 | \$1,006.00 |
| LR 3632 | 39.5h x 18d | 3 Drawer 36" with lock | 19.6 | 168 | \$1,271.00 |
| LR 3642 | 51.5h x 18d | 4 Drawer 36" with lock | 24.7 | 186 | \$1,623.00 |
| LR 3652 | 63.5h x 18d | 5 Drawer 36" with lock | 29.9 | 211 | \$1,912.00 |
| CW36 | | Counter Balance Kit | | | \$ 184.00 |



| Model | Size | Description | Cube | Weight | Price |
|---------|-------------|------------------------|------|--------|------------|
| LR 4222 | 27.5h x 18d | 2 Drawer 42" with lock | 16.6 | 154 | \$1,144.00 |
| LR 4232 | 39.5h x 18d | 3 Drawer 42" with lock | 22.6 | 180 | \$1,499.00 |
| LR 4242 | 51.5h x 18d | 4 Drawer 42" with lock | 28.6 | 227 | \$1,897.00 |
| LR 4252 | 63.5h x 18d | 5 Drawer 42" with lock | 34.6 | 232 | \$2,083.00 |
| CW42 | | Counter Balance Kit | | | \$ 199.00 |

Lateral files are limited to the following colors:

Beige, Black, Graphite,
Mercury, Putty

| Model | Size | Description | Cube | Weight | Price |
|--------|------|-----------------------|------|--------|----------|
| FTBR | | Front to Back Bars | | | \$ 52.00 |
| LATDIV | | Lateral File Dividers | | | \$ 52.00 |
| MLH | | Magnetic Label Holder | | | \$ 31.00 |

Bookcases

Features

- 12" Deep case or 15"
- Adjustable shelves
- Reinforced steel base
- 20 gauge steel case
- Adjustable glides standard on each corner
- 2 widths
- 29" High - 30" High - 42" High - 60" High

Specifying Bookcase

Model number logic explanation: PBC2912-36

PBC - Bookcase

29 - 29" high

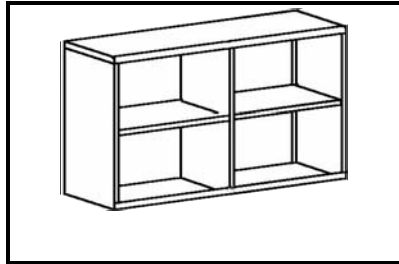
42 - 42" high

60 - 60" high

12 - 12" deep

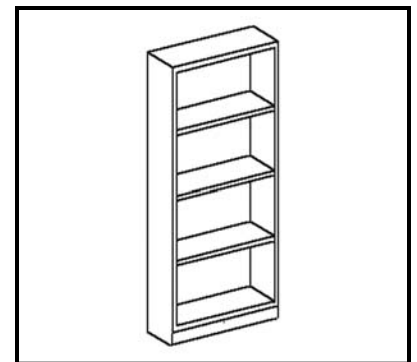
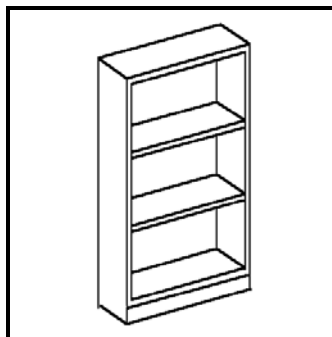
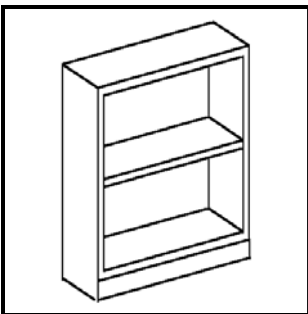
36 - 36" wide

Heavy Duty Bookcase - 48" Wide



| Model | 48" Size | Description | Cube | Weight | Price |
|-------------|-----------------|---|------|--------|----------|
| PBC 3015-48 | 30h x 15d x 48w | Bookcase - Center Divider 2 shelf 2 fixed 2 adjustable | 10 | 63 | \$566.00 |

Heavy Duty Bookcase - 36" Wide



| Model | Size | Description | Cube | Weight | Price |
|-------------|-----------------|--|------|--------|----------|
| PBC 2912-36 | 29h x 12d x 36w | Bookcase - 2 shelf 1 fixed 1 adjustable | 10 | 50 | \$368.00 |
| PBC 4212-36 | 42h x 12d x 36w | Bookcase - 3 shelf 1 fixed 2 adjustable | 15 | 60 | \$527.00 |
| PBC 6012-36 | 60h x 12d x 36w | Bookcase - 4 shelf 1 fixed 3 adjustable | 21 | 80 | \$675.00 |

Storage Towers

Features

- 24" Deep case
- Reinforced steel case
- 20 gauge steel case
- Adjustable glides standard on each corner
- 2, 3, & 4 Drawer File configuration
- Steel ball bearing suspensions
- 1 adjustable shelf
- Heavy duty adjustable hinges
- Garment rod
- Central locking
- 17 gauge door & drawer fronts

Custom Towers available on a special order basis.

Storage Tower - 24" Wide, Letter File Drawers, Wardrobe and Storage Unit



| Model | Size | Description | Cube | Weight | Price |
|----------|--------------|--|------|--------|------------|
| ST6442-L | 24" w x 64"h | 2 File drawers right w/ hinged door storage above and 1 adjustable shelf. Full hinged door left w/ garment rod. | 21.5 | 170 | \$1,888.00 |
| ST6442-R | 24" w x 64"h | 2 File drawers left w/ hinged door storage above and 1 adjustable shelf. Full hinged door right w/ garment rod. | 21.5 | 170 | \$1,888.00 |
| ST6443-L | 24" w x 64"h | 3 File drawers right w/ hinged door storage above and 1 adjustable shelf. Full hinged door left w/ garment rod. | 21.5 | 178 | \$1,951.00 |
| ST6443-R | 24" w x 64"h | 3 File drawers left w/ hinged door storage above and 1 adjustable shelf. Full hinged door right w/ garment rod. | 21.5 | 178 | \$1,951.00 |
| ST6444-L | 24" w x 64"h | 4 File drawers right w/ hinged door storage above and 1 adjustable shelf. Full hinged door left w/ garment rod. | 21.5 | 186 | \$2,014.00 |
| ST6444-R | 24" w x 64"h | 4 File drawers left w/ hinged door storage above and 1 adjustable shelf. Full hinged door right w/ garment rod. | 21.5 | 186 | \$2,014.00 |

Stadium Lockers

Features

- 24" square base
- Foot locker standard
- 16 gauge steel case
- Adjustable glides standard on each corner
- Single and Double configuration
- Reinforced steel case
- Ships fully assembled

ADD on Features

| | |
|--------------------------------|----------|
| Shoulder pad Rack | \$ 34.00 |
| Shoe Tree per Pair | \$ 25.00 |
| Ganging Bracket (with bolts) | \$ 13.00 |
| Security Box | \$103.00 |

Custom Lockers available on a special order basis.

Stadium Locker



| Model | Size | Description | Cube | Weight | Price |
|---------|-------------------|---|------|--------|------------|
| AL2472 | 24" x 24" x 72" H | Single Unit Stadium Locker with metal seat and 4 Double hooks | 24 | 145 | \$1,328.00 |
| AL2472V | | Above with Vinyl Foam Seat | 24 | 145 | \$1,385.00 |
| AL2472W | | Above with Wood Seat | 24 | 145 | \$1,397.00 |
| AL4872 | 48" x 24" x 72" H | Double Unit Stadium Locker with metal seat and 8 Double hooks | 48 | 295 | \$2,321.00 |
| AL4872V | | Above with Vinyl Foam Seat | 48 | 295 | \$2,384.00 |
| AL4872W | | Above with Wood Seat | 48 | 295 | \$2,390.00 |
| AL2418 | 24" x 24" x 18" H | Single Foot Locker with metal seat | 6 | 45 | \$ 717.00 |
| | | Above with Vinyl Foam Seat | 6 | 45 | \$ 777.00 |
| | | Above with Wood Seat | 6 | 45 | \$ 786.00 |
| AL4824 | 48" x 24" x 18" H | Double Foot Locker with metal seat | 12 | 90 | \$1,159.00 |
| | | Above with Vinyl Foam Seat | 12 | 90 | \$1,223.00 |
| | | Above with Wood Seat | 12 | 90 | \$1,229.00 |

Accessories

Keyboard Trays



| Model | Size | Description | Cube | Weight | Price |
|-------|------|---|------|--------|-----------|
| KBSD1 | | Fully Articulating 360 swivel | .1 | | \$ 205.00 |
| KBSD3 | | Fully Articulating 360 swivel with mouse & Wrist Rest | .1 | | \$ 301.00 |
| KBS | | Keyboard drawer | .1 | | \$223.00 |

Center Drawer Kit –Dictation Slide Option - Task Light



| Model | Size | Description | Cube | Weight | Price |
|-------|------|------------------------|------|--------|-----------|
| CDW | | Center Drawer Kit | | 9 | \$ 226.00 |
| DS | | Dictation Slide Option | | 18 | \$ 229.00 |
| TL24 | | Task Light—24" | | 6 | \$253.00 |
| TL36 | | Task Light—36" | | 8 | \$274.00 |
| TL48 | | Task Light—48" | | 10 | \$311.00 |

Drawer Dividers - Master Keys - Locks - Keys

| Model | Size | Description | Cube | Weight | Price |
|----------------|------|---------------------------------------|------|--------|---------|
| Drawer Divider | | Drawer Dividers for Box & File drawer | | | \$13.00 |
| Master Key | | Master Key | | | \$40.00 |
| | | Locks | | | \$49.00 |
| | | Extra Keys | | | \$34.00 |