

Perpetual Enterprises Inc.

EDUCATOR S³



List Price

Effective January 1, 2013

Table of Contents

Warranty	-----	4
Finishes	-----	5
Educator 135	-----	6
Educator S³	-----	7
Educator S³	-----	8
Educator D	-----	9
Desks	-----	10
Desk cont.	-----	11
Desk cont.	-----	12
Hutch Units	-----	13
Pedestals	-----	14
Pedestal Tables	-----	15
Vertical Safety Interlock	-----	16
Vertical File	-----	17
ED Vertical Files	-----	18
Lateral File - Full Pull	-----	19
Lateral File - Recessed Pull	-----	20
Bookcases	-----	21
Storage Towers	-----	22
Stadium Lockers	-----	23
Accessories	-----	24

LIFETIME WARRANTY

Perpetual Enterprises, Inc.

WARRANTY STATEMENT

A. The following warranty applies to products manufactured by Perpetual Enterprises, Inc. This warranty is given to the initial purchaser and is valid for as long as the product is owned by the original buyer. The warranty, which runs from the date of manufacture, covers defects in materials and craftsmanship found during normal usage of product (s) during the warranty period. If a product is defective, and if written notice of the defect is given to the Company **within** the applicable warranty period, the Company will either repair or replace the defective product with a comparable component or product. The Applicable Warranty Periods are:

Product (s)	Applicable Warranty Period
All Products	Lifetime*

*The applicable warranty period assumes that the product is used an average of not more than 40 hours per week. If a product is used more than this, the Applicable Warranty Period shall be reduced in proportion to the increased usage.

B. This warranty does not apply to “normal wear and tear”, abuse, damage caused by a carrier, damage caused by transport of product from one site or location to another, alterations to the product not expressly authorized by Seller, nor to products considered to be of a consumable nature such as light bulbs, light ballasts and surge suppression products. It also does not apply to “Customers Own Material (i.e., material specified by Buyer that is not a standard Company product offering used in the manufacture of the Company’s products. The Company does not warrant the matching of color, grain or texture except to within commercially acceptable standards.

C. A product will not be considered defective, and Seller will not be obligated to replace it, if the product is not installed or used as recommended in the Company’s written planning, installation or user guides.

D. Except as stated above, the Company makes no expressed or implied warranties as to any product and in particular makes no warranty or fitness for any particular product except for use as standard office furniture. Product repair or replacement is the customer’s exclusive remedy for any and all product defects. Seller shall not be liable for consequential, economic or incidental damages arising from any product defect.

Finishes

HPL Laminates

Standard Color	Wilsonart Number
• Solar Oak	• 7816-60
• Montana Walnut	• 7110T-60
• White Nebula	• 4621-60

All other laminates require a special quote. Call with specifics to customer service **800-980-9454**.

Open pattern laminates by **Wilsonart** are readily available and can be furnished without extended lead-times. Wilsonart laminates are generally available at a minimal or no up-charge. Price will be determined by the pattern number and quantity ordered.

Other high pressure laminate manufacturers are available. However, they may require an extended lead time and generally require an up-charge. Call with specifics for lead-time and pricing to customer service **800-980-9454**.

Paint

Standard Paint	Paint Number
• Black	• PC231
• Putty	• PC232
• Mercury	• PC233
• Beige	• PC234
• Graphite	• PC237

Other Finishes: Our powder coat finish supplier is a major vendor to the office furniture industry. This allows us to offer many of the colors (**20**) available through other manufacturers. Please call customer service with manufacturer's name and color number for availability. In most cases these colors are available at a minimal or no up-charge. Sample chips are available upon request.

Edge Trim

Colors

- | | |
|---------------|--|
| • Black | • T01 Black Standard unless otherwise specified |
| • Putty | • T02 *Minimum quantities may apply. |
| • Medium Grey | • T03 *Minimum quantities may apply. |

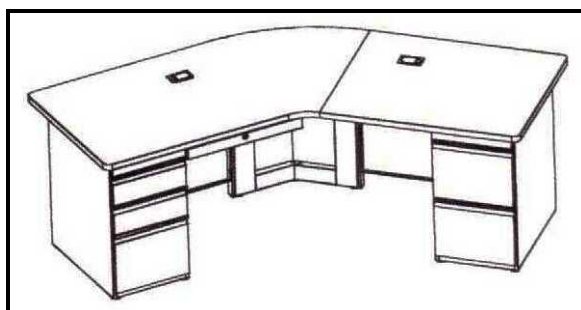
*Contact Customer Service **800-980-9454**

Educator 135 - Teachers Workstation

Features

- 29" High Units
- Tops are 1-1/4" thick high-pressure laminate
- 3mm vinyl edge band
- Full pulls standard
- Standard with central locking center drawer
- Standard with core removable locks
- Full extension steel ball bearing suspension
- 6" overhang allows teacher/student conferencing
- 135 degree angle allows teacher full visibility of classroom

Educator 135 - Double Pedestal Teachers Workstation



Model	Size	Description	Cube	Weight	Price
ES8430CAB	84x30x29	36x30 BBF Ped Left Return, Curved Center Section, Center Drawer, 36x30 FF Ped Right Return, Central Locking	43	310	\$2,770.00
ES8430CBA	84x30x29	36x30 FF Ped Left Return, Curved Center Section, Center Drawer, 36x30 BBF Ped Right Return, Central Locking	43	310	\$2,770.00

Educator 135 - Single Pedestal Teachers Workstation

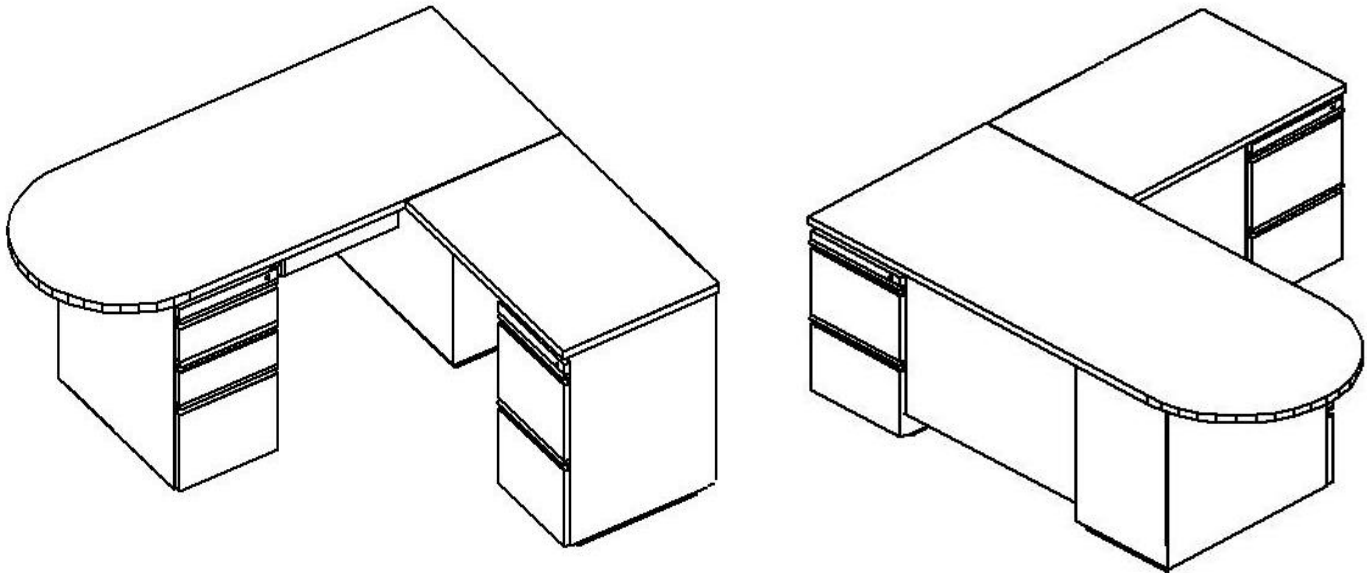
Model	Size	Description	Cube	Weight	Price
ES8430CAD	84x30x29	36x30 BBF Ped Left Return w/ Center drawer & Central Locking, curved center section, 36x30 No ped. Return Right	43	260	\$2,393.00
ES8430CDA	84x30x29	36x30 No Ped. Return Left, curved center section, 36x30 BBF Ped. Return Right w/ Center Drawer & Central Locking	43	260	\$2,393.00
ES8430CBD	84x30x29	36x30 FF Ped Left return w/ Center Drawer & Central Locking, curved center section, 36x30 No ped. Return Right	43	260	\$2,351.00
ES8430CDB	84x30x29	36x30 No Ped. Return Left, Curved Center Section, 36x30 FF Ped. Return Right w/ Center Drawer & Central Locking,	43	260	\$2,351.00
ES7230CAD	72x30x29	72x30 one piece top with curved center section, BBF pedestal on left no pedestal on right with center drawer and central locking.	36	260	\$2,285.00
ES7230CDA	72x30x29	72x30 one piece top with curved center section, BBF pedestal on right no pedestal on left with center drawer and central locking.	36	260	\$2,285.00
ES7230CBD	72x30x29	72x30 one piece top with curved center section, FF pedestal on left no pedestal on right with center drawer and central locking.	36	230	\$2,249.00
ES7230CDB	72x30x29	72x30 one piece top with curved center section, FF pedestal on right no pedestal on left with center drawer and central locking.	36	230	\$2,249.00

Educator S³ - Triple Pedestal Desk D -Top

Features

- 29" High Units
- Tops are 1-1/4" thick high-pressure laminate
- 3mm edge band
- Full pulls standard
- Full depth full extension file drawer
- Standard with central locking center drawer
- Standard with core removable locks
- Ships as 2 units—main desk & return
- Steel ball bearing suspension
- 12" overhang allows Teacher / student conferencing
- 3 Pedestals for maximum storage
- 123.5" up to 150" of linier filing capacity
- 21 sq ft of Work surface area
- Grommets in Main Desk and Return

S³ - D Top Triple Pedestal Desk Right Return



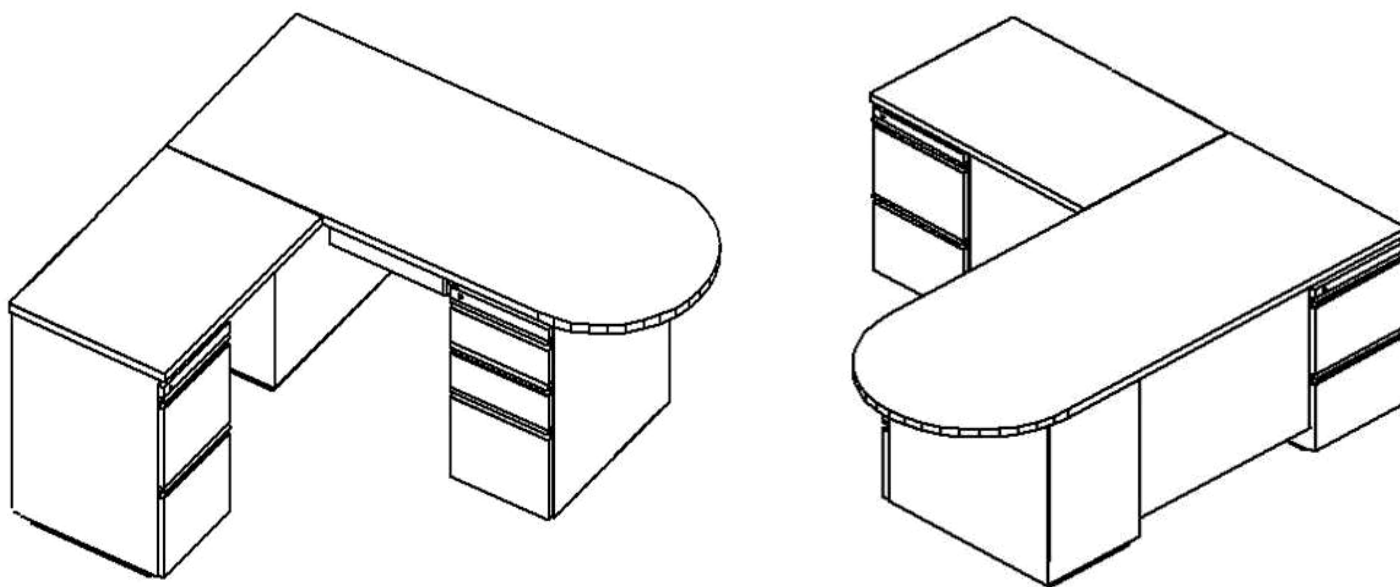
Model	Size	Description	Cube	Weight	Price
ES780CAG	78x30	78 x 30 Main unit with Left pedestal Box / Box / File, Center drawer, Central locking. Right File / File locking pedestal facing forward.	41	265	\$ 3,107.00
	42x24	Return 42 x 24 Right with File / File locking pedestal.	24	155	
ES780CBG	78x30	78 x 30 Main unit with Left pedestal File / File, Center drawer, Central locking. Right File / File locking pedestal facing forward.	41	265	\$ 3,107.00
	42x24	Return 42 x 24 Right with File / File locking pedestal.	24	155	

Educator S³ - Triple Pedestal Desk D -Top

Features

- 29" High Units
- Tops are 1-1/4" thick high-pressure laminate
- 3mm edge band
- Full pulls standard
- Full depth full extension file drawer
- Standard with central locking center drawer
- Standard with core removable locks
- Ships as 2 units—main desk & return
- Steel ball bearing suspension
- 12" overhang allows Teacher / student conferencing
- 3 Pedestals for maximum storage
- 123.5" up to 150" of linier filing capacity
- 21 sq ft of Work surface area
- Grommets in Main Desk and Return

S³ - D Top Triple Pedestal Desk Left Return



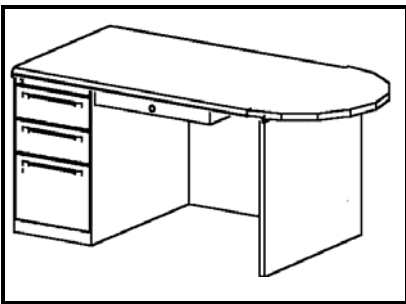
Model	Size	Description	Cube	Weight	Price
ES780CGA	78x30	78 x 30 Main unit with Right pedestal Box / Box / File, Center drawer, Central locking. Left File / File locking pedestal facing forward.	41	265	\$ 3,107.00
	42x24	Return 42x 24 Left with File / File locking pedestal.	24	155	
ES780CGB	78x30	78 x 30 Main unit with Right pedestal File / File, Center drawer, Central locking and Left File / File locking pedestal facing forward.	41	265	\$ 3,107.00
	42x24	Return 42x 24 Left with File / File locking pedestal.	24	155	

Educator D - Top Desks

Features

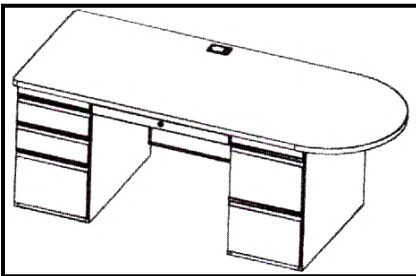
- 29" High Units
- Tops are 1 1/4" thick high-pressure laminate
- 3mm edge band
- Full pulls standard
- Full depth full extension file drawer
- Standard with central locking center drawer
- Standard with core removable locks
- Ships assembled
- Steel ball bearing suspension
- 12" overhang allows Teacher / student conferencing
- Bookcase unit has adjustable shelf

D - Top Single Pedestal Desk



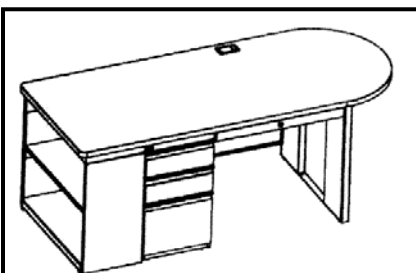
Model	Size	Description	Cube	Weight	Price
ES603CAD	60x30	60x30 Single pedestal desk with center drawer and central locking	41	200	\$1,391.00

D - Top Double Pedestal Desk



Model	Size	Description	Cube	Weight	Price
ED723CAB	72x30	72x30 Double pedestal desk with center drawer and central locking	49	250	\$1,828.00

D - Top Single Pedestal Desk with Bookcase



Model	Size	Description	Cube	Weight	Price
ES723CBCAD	72x30	72x30 Double pedestal desk with center drawer and central locking	49	226	\$1,683.00

Desks

Features

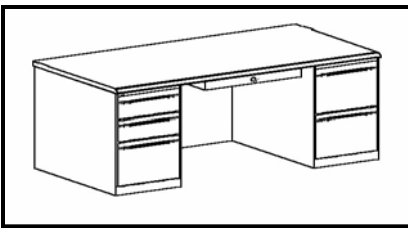
- 29" High Units
- Tops are 1-1/4" thick high-pressure laminate
- 3mm vinyl edge band
- Full pulls standard
- Standard with central locking
- Standard with core removable locks
- Ships assembled
- Grommets standard
- Specify pedestal configuration
- Full extension steel ball bearing suspension
- High side file drawers standard

Pedestal options

Double pedestal desks are standard with Box Box File & File File configuration. The Box Box File configuration is indicated by placing an **A** in the model number. File File configuration is indicated by placing a **B** in the model number. **Example:** PD663CAB is 66x30 Double Pedestal Desk with Box Box File left and File File right.

Single pedestal desks are standard with an **A** Box Box File configuration. To order this Desk with File File change *A* to a *B*. The single ped desk will have an end panel opposite the pedestal and is indicated with a **D** in the model number. **Example:** PS663CAD is 66x30 SP Desk with BBF left and an end panel on the right. The letter **C** in the model number designates a center drawer and central locking.

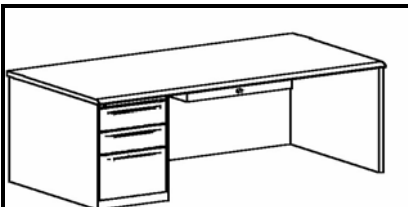
Double Pedestal Desk with AB or BA Configuration



- Pedestal Options:
AB Box/Box/File left & File/File right
BA File/File left & Box/Box/File right
AA Configuration Add \$18
AA Box/Box/File left & Box/Box/File right
BB Configuration Deduct \$11
BB File/File left & File/File right

Model	Size	Description	Cube	Weight	Price
PD726C__	72x36	Double pedestal desk	52	275	\$1,966.00
PD723C__	72x30	Double pedestal desk	49	265	\$1,900.00
PD663C__	66x30	Double pedestal desk	45	230	\$1,885.00
PD603C__	60x30	Double pedestal desk	41	220	\$1,837.00
PD724C__	72x24	Double pedestal desk	28	200	\$1,764.00
PD664C__	66x24	Double pedestal desk	40	195	\$1,746.00
PD604C__	60x24	Double pedestal desk	37	190	\$1,704.00

Single Pedestal Desk with AD or DA Configuration



- Pedestal Options:
AD Box/Box/File left & end panel right
DA end panel left & Box/Box/File right
B configuration Deduct \$11.
DB end panel left & File/File right
BD File/File left & end panel right

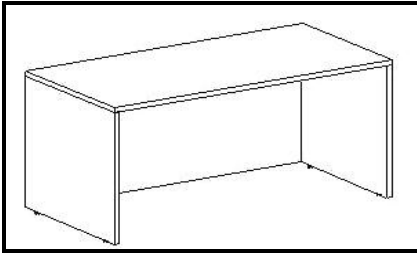
Model	Size	Description	Cube	Weight	Price
PS726C__	72x36	Single pedestal desk	52	225	\$1,629.00
PS723C__	72x30	Single pedestal desk	49	215	\$1,512.00
PS663C__	66x30	Single pedestal desk	45	200	\$1,472.00
PS603C__	60x30	Single pedestal desk	41	180	\$1,448.00
PS483C__	48x30	Single pedestal desk	28	165	\$1,397.00
PS724C__	72x24	Single pedestal desk	40	175	\$1,442.00
PS664C__	66x24	Single pedestal desk	37	170	\$1,397.00
PS604C__	60x24	Single pedestal desk	34	165	\$1,343.00

Desks

Desk Shells

Features

- 29" High Units
- Tops are 1-1/4" thick high-pressure laminate
- 3mm vinyl edge band
- Grommets standard



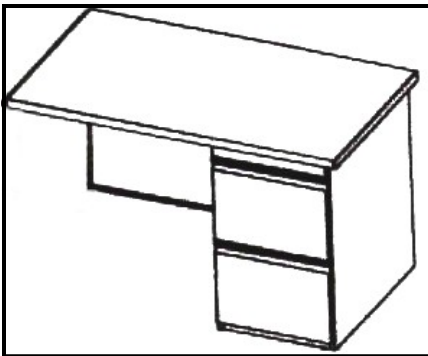
* Ships assembled

Optional Wire Management

Change the **D** in the model number to a **W** and a wire management channel will be provided in the end panel along with a removable cover to conceal and protect wire cabling.

Model	Size	Description	Cube	Weight	Price
PD7260DD	72x36	Desk Shell	52	122	\$1,141.00
PD7230DD	72x30	Desk Shell	49	112	\$1,086.00
PD6630DD	66x30	Desk Shell	45	110	\$1,008.00
PD6030DD	60x30	Desk Shell	41	102	\$ 961.00
PD7240DD	72x24	Desk Shell	28	115	\$1,033.00
PD6640DD	66x24	Desk Shell	40	105	\$ 958.00
PD6040DD	60x24	Desk Shell	37	90	\$ 914.00
PD4830DD	48x30	Desk Shell	28	80	\$ 897.00
PD4840DD	48x24	Desk Shell	28	70	\$ 853.00

Returns - with Pedestal



Model	Size	Description	Cube	Weight	Price
PR424OB	42x24	F/F Right ped. return	24	155	\$1,132.00
PR424BO	42x24	F/F Left ped return	24	155	\$1,132.00
PR484OB	48x24	F/F Right ped. return	27	161	\$1,159.00
PR484BO	48x24	F/F Left ped return	27	161	\$1,159.00
PR604OB	60x24	F/F Right ped. return	34	175	\$1,232.00
PR604BO	60x24	F/F Left ped return	34	175	\$1,232.00

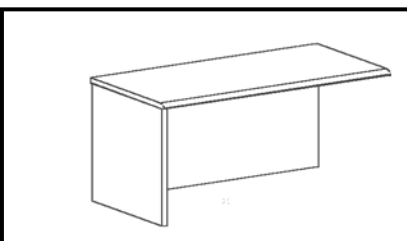
• Pedestal Options:

- OB No panel left & File/File right
- BO File/File left & No panel right

For a Box/Box/File configuration **ADD \$10.00**

- AO Box/Box/File left & No panel right
- OA No panel left & Box/Box/File right

Returns Shells

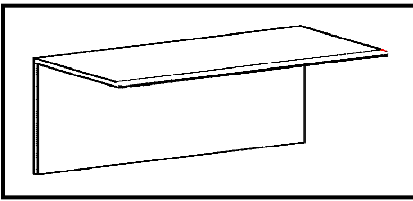


- OD No panel left & end panel right
- DO end panel left & No panel right

Model	Size	Description	Cube	Weight	Price
PR4240D	42x24	Right return	24	104	\$639.00
PR424D0	42x24	Left return	24	104	\$639.00
PR4840D	48x24	Right return	27	110	\$690.00
PR484D0	48x24	Left return	27	110	\$690.00
PR6040D	60x24	Right return	34	120	\$765.00
PR604D0	60x24	Left return	34	120	\$765.00

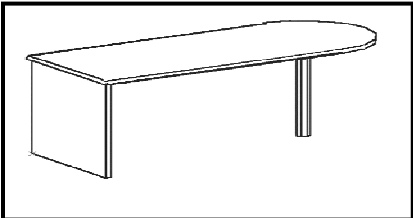
Desks continued

Bridge Units



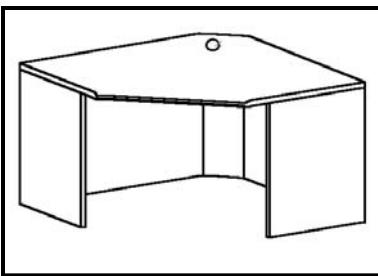
Model	Size	Description	Cube	Weight	Price
PB42400	42x24	Bridge unit	9	55	\$ 593.00
PB48400	48x24	Bridge unit	9	60	\$ 618.00

D Shaped Tops



Model	Size	Description	Cube	Weight	Price
PT 726	72x36	D Top unit	10	135	\$1,527.00
PT 723	72x30	D Top unit	9	121	\$1,475.00
PT 663	66x30	D Top unit	8	118	\$1,403.00

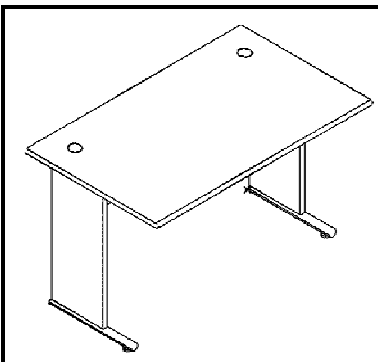
Corner Units



Model	Size	Description	Cube	Weight	Price
CR36364	36x36x24	36" Corner Unit	17	102	\$1,373.00
CR42424	42x42x24	42" Corner Unit	20	120	\$1,490.00

- 29" High Unit * 36" unit 16.97" Straight Front
- 3MM Vinyl Edge * 42" unit 24.67 Straight Front
- Grommet standard * Ships assembled

C - Leg Desk Shell



Model	Size	Description	Cube	Weight	Price
PT483C30	48x30	Desk Shell C-Leg	25	150	\$ 897.00
PT603C30	60x30	Desk Shell C-Leg	32	160	\$ 961.00
PT663C30	66x30	Desk shell C-leg	35	170	\$1,009 .00
PT723C30	72x30	Desk shell C-leg	38	185	\$1,087.00

Hutch Units

Features

- 15" deep
- 21" clearance from desktop to shelf
- Over the top flipper
- Shelf will accept task light
- Tackboard standard with Grade 1 fabric only
- Core removable locks
- Options - Shelf dividers / Open Back units

Specifying Hutch Units

Model number logic explanation: H36FT

H - Hutch

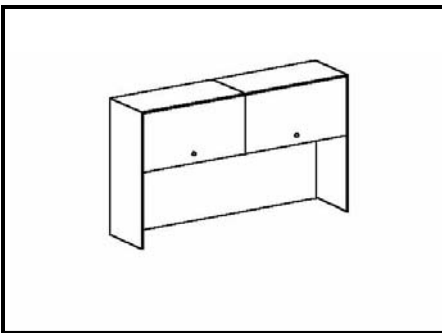
36 - 36" wide

F - Flipper Front

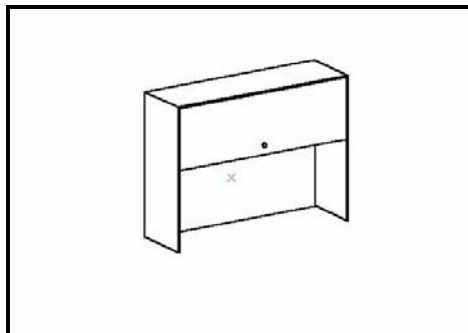
O - Open Front

T - Tackboard

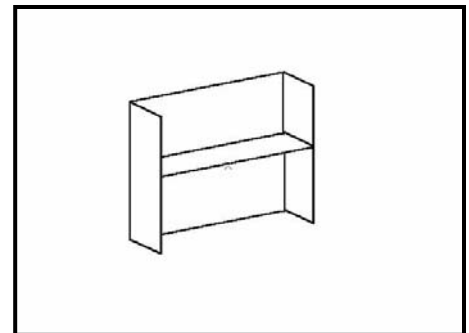
Double Door Closed Hutch



Single Door Closed Hutch



Open Hutch



Hutch Closed Door - with Tackboard

Model	Size	Description	Cube	Weight	Price
H36FT	36"Wx36.5"Hx15"D	Single Door closed Hutch w/ Lock	11	85	\$1,195.00
H42FT	42"Wx36.5"H x 15"D	Single Door closed Hutch w/ Lock	13	91	\$1,250.00
H48FT	48"W x 36.5"Hx15"D	Single Door closed Hutch w/ Lock	15	96	\$1,328.00
H60FT	60"W x 36.5"Hx15"D	Double Door closed Hutch w/ Locks	19	111	\$1,596.00
H66FT	66"W x 36.5"Hx15"D	Double Door closed Hutch w/ Locks	21	125	\$1,692.00
H72FT	72"W x 36.5"Hx15"D	Double Door closed Hutch w/ Locks	23	137	\$1,755.00

Hutch Open Shelf - with Tackboard

Model	Size	Description	Cube	Weight	Price
H36FO	36"Wx36.5"Hx 15"D	Open Hutch	11	60	\$ 765.00
H42FO	42"Wx36.5"Hx 15"D	Open Hutch	13	73	\$ 822.00
H48FO	48"W x36.5"Hx15"D	Open Hutch	15	78	\$ 885.00
H60FO	60"W x36.5"Hx15"D	Open Hutch	19	91	\$1,075.00
H66FO	66"W x36.5"Hx15"D	Open Hutch	21	103	\$1,147.00
H72FO	72"W x36.5"Hx15"D	Open Hutch	23	115	\$1,208.00

Pedestals

Features

- 20" -24" -30" Deep case
- Box/Box/File or File/File configuration
- Reinforced steel case
- 20 gauge steel case
- Adjustable glides standard on each corner
- Steel ball bearing suspensions

Specifying Pedestal

Model number logic explanation: PT24BBF-15

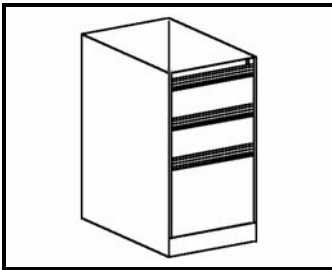
PT - Fixed Pedestal

24 - 24" deep

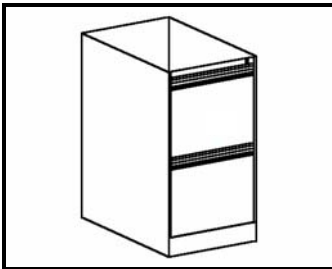
BBF - Box Box File

15 - 15" width

Heavy Duty Fixed Pedestal - 15" Wide Letter with Open Top



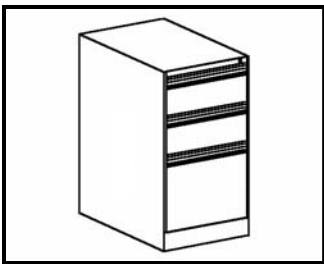
Model	Size	Description	Cube	Weight	Price
PT20FF-15	20"d x 27"h x 15"	File / File	8	60	\$449.00
PT20BBF-15	20"d x 27"h x 15"	Box / Box / File	8	65	\$488.00
PT24FF-15	24"d x 27"h x 15"	File / File	8	65	\$476.00
PT24BBF-15	24"d x 27"h x 15"	Box / Box / File	8	70	\$524.00



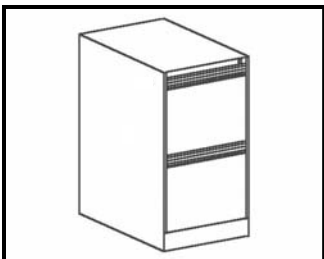
PT30FF-15	30"d x 27"h x 15"	File / File	8	70	\$524.00
PT30BBF-15	30"d x 27"h x 15"	Box / Box / File	8	75	\$569.00

Legal pedestals are available on a special order basis.
Contact Sabatini & Associates at 800-980-9454.

Heavy Duty Mobile Pedestal - 15" Wide Letter with Closed Top



Model	Size	Description	Cube	Weight	Price
PT24MFF-15	24"d x 27"h x 15"	File / File	8	70	\$574.00
PT24MBBF-15	24"d x 27"h x 15"	Box / Box / File	8	76	\$624.00



PT30MFF-15	30"d x 27"h x 15"	File / File	8	76	\$639.00
PT30MBBF-15	30"d x 27"h x 15"	Box / Box / File	8	81	\$672.00

Mobile pedestals with **cushions** on top are available on a special order basis.
Contact: **Sabatini & Associates at 800-980-9454.**

Pedestal Tables

Features

- 29" High with Adjustable Glides
- Assembly required
- Base Column Diameter 2", 14 Gauge
- Powder Coated Finish
- High Pressure Laminates, 3mm Radius
- Vinyl Edge or PVC Self Edge
-

Pedestal Table options

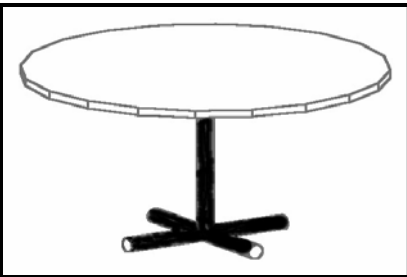
- Folding Leg Bases
- Flip Top Bases
- Ganging Hardware
- Bullnose Wood Edge
- Radius Wood Edge
- Special Sizes & Heights
- Adjustable Height Bases

Stationary Base Square



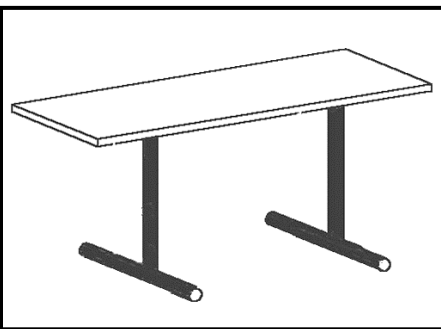
Model	Size	Description	Cube	Weight	Price
PT303P26X	30x30	X-Base	11	54	\$ 654.00
PT366P32X	36x36	X-Base	13	70	\$ 690.00

Stationary Base Round



Model	Size	Description	Cube	Weight	Price
PT300P26X	30" RND	X-Base	11	48	\$ 663.00
PT360P32X	36" RND	X-Base	13	60	\$ 696.00
PT420P32X	42" RND	X-Base	14	73	\$ 934.00
PT480P38X	48" RND	X-Base	15	93	\$ 970.00
PT600P38X	60" RND	X-Base	18	110	\$1,168.00

Stationary Base Rectangular



Model	Size	Description	Cube	Weight	Price
PT488P16	48x18	T-Base	8	58	\$ 855.00
PT608P16	60x18	T-Base	9	65	\$ 919.00
PT364P20	36x24	T-Base	7	60	\$ 789.00
PT484P20	48x24	T-Base	8	69	\$ 867.00
PT604P20	60x24	T-Base	9	78	\$ 928.00
PT483P26	48x30	T-Base	8	80	\$ 913.00
PT603P26	60x30	T-Base	10	92	\$ 979.00
PT663P26	66x30	T-Base	11	96	\$1,033.00
PT723P26	72x30	T-Base	12	104	\$1,039.00

Vertical Files - Safety Interlock

Features

- 28" Deep case
- Available in letter or legal width
- Reinforced steel base
- 4 vertical uprights
- Adjustable glides standard on each corner
- Standard with core removable locks
- Full extension steel ball bearing suspension
- All drawers standard high sides to accommodate hanging folders
- Full width pulls standard
- **Automatic positive safety interlock system**

Specifying Vertical Files

Model number logic explanation: VLF1143

VLF - Vertical file

1 - 28" deep file

1 - Letter width (15")

4 - Legal width (18")

2 - 2 drawers

3 - 3 drawers

4 - 4 drawers

5 - 5 drawers

3 - Lock / Safety Interlock

Vertical Files - Letter - Heavy Duty - Safety Interlock - 1100 Series - 28" Deep



Model	Size	Description	Cube	Weight	Price
VFL 1123	28h x 15w	2 Drawer Letter with lock	10	70	\$ 651.00
VFL 1133	40h x 15w	3 Drawer Letter with lock	14	93	\$ 831.00
VFL 1143	52h x 15w	4 Drawer Letter with lock	18	121	\$1,036.00
VFL 1153	62h x 15w	5 Drawer Letter with lock	21	150	\$1,226.00

Vertical Files - Legal - Heavy Duty - Safety Interlock - 1400 Series - 28" Deep



Model	Size	Description	Cube	Weight	Price
VFL 1423	28h x 18w	2 Drawer Legal with lock	12	77	\$ 675.00
VFL 1433	40h x 18w	3 Drawer Legal with lock	16	101	\$ 873.00
VFL 1443	52h x 18w	4 Drawer Legal with lock	20	132	\$1,075.00
VFL 1453	62h x 18w	5 Drawer Legal with lock	25	152	\$1,271.00

Special File Configurations are available on a special order basis.

Contact : **Sabatini & Associates 800-980-9454**

Vertical Files

Features

- 28" Deep case
- Available in letter or legal width
- Reinforced steel base
- 4 vertical uprights
- Adjustable glides standard on each corner
- Standard with core removable locks
- Full extension steel ball bearing suspension
- All drawers standard high sides to accommodate hanging folders
- Full width pulls standard
- **No Safty interlock**

Specifying Vertical Files

Model number logic explanation: VLF1143

VLF - Vertical file

1 - 28" deep file

1 - Letter width (15")

4 - Legal width (18")

2 - 2 drawers

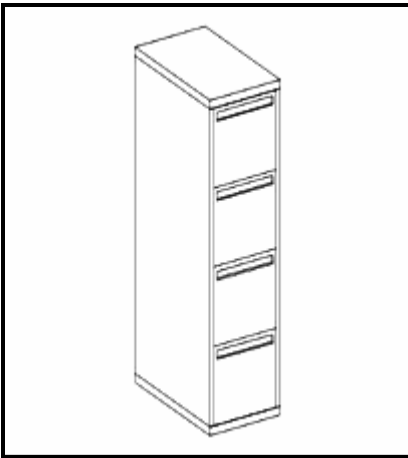
3 - 3 drawers

4 - 4 drawers

5 - 5 drawers

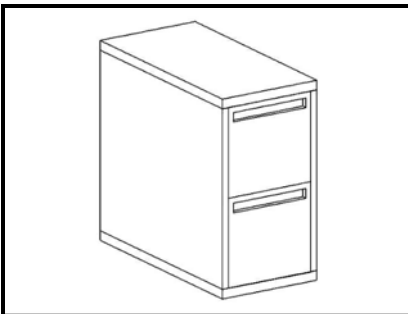
2 - Lock

Vertical Files - Letter - Heavy Duty 1100 Series - 28" Deep



Model	Size	Description	Cube	Weight	Price
VFL 1122	28h x 15w	2 Drawer Letter with lock	10	70	\$ 593.00
VFL 1132	40h x 15w	3 Drawer Letter with lock	14	93	\$ 753.00
VFL 1142	52h x 15w	4 Drawer Letter with lock	18	121	\$ 946.00
VFL 1152	62h x 15w	5 Drawer Letter with lock	21	150	\$1,108.00

Vertical Files - Legal - Heavy Duty 1400 Series - 28" Deep



Model	Size	Description	Cube	Weight	Price
VFL 1422	28h x 18w	2 Drawer Legal with lock	12	77	\$ 612.00
VFL 1432	40h x 18w	3 Drawer Legal with lock	16	101	\$ 789.00
VFL 1442	52h x 18w	4 Drawer Legal with lock	20	132	\$ 970.00
VFL 1452	62h x 18w	5 Drawer Legal with lock	25	152	\$1,150.00

Special File Configurations are available on a special order basis.
Contact Sabatini & Associates 800-980-9454

ED Vertical Files

Features

- 28.75" Deep case
- Available in letter or legal width
- 18 gauge full bottom
- 4 vertical uprights
- Adjustable glides standard on each corner
- Standard with core removable locks
- Full extension steel ball bearing suspension
- All drawers standard high sides w/ movable follower block
- Recessed pulls standard available with optional J pull
- Safety interlock standard

Specifying Vertical Files

Model number logic explanation: EDV1142

EDV - Vertical file

1 - 28" deep file

1 - Letter width (14.88")

4 - Legal width (17.88")

2 - 2 drawers

3 - 3 drawers

4 - 4 drawers

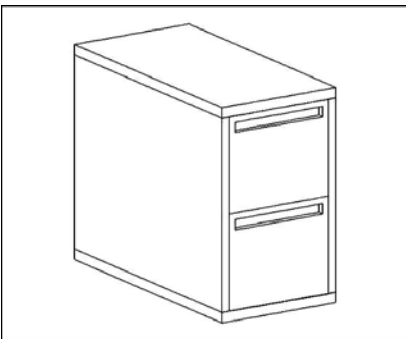
5 - 5 drawers

Vertical Files - Letter - 28.75" Deep



Model	Size	Description	Cube	Weight	Price
EDV 1122	24.88h x 14.88w	2 Drawer Letter with lock	7.8	81	\$ 675.00
EDV 1132	35.38h x 14.88w	3 Drawer Letter with lock	10.8	115	\$ 753.00
EDV 1142	47.38h x 14.88w	4 Drawer Letter with lock	14.3	141	\$ 946.00
EDV 1152	57.88h x 14.88w	5 Drawer Letter with lock	17.3	160	\$ 1,108.00

Vertical Files - Legal - 28.75" Deep



Model	Size	Description	Cube	Weight	Price
EDV 1422	24.88h x 17.88w	2 Drawer Legal with lock	7.8	81	\$ 780.00
EDV 1432	35.38h x 17.88w	3 Drawer Legal with lock	10.8	115	\$ 922.00
EDV 1442	47.38h x 17.88w	4 Drawer Legal with lock	14.3	141	\$ 1,111.00
EDV 1452	57.88h x 17.88w	5 Drawer Legal with lock	17.3	160	\$ 1,326.00

Special File Configurations are available on a special order basis.
Contact Sabatini & Associates at 800-980-9454

Lateral Files - Full Pull

Features

- 30" 36" 42" width case
- File letter or legal width hanging folders
- Reinforced steel base
- 4 vertical uprights
- Adjustable glides standard on each corner
- Safety interlock standard
- Full extension steel ball bearing suspension
- Standard with sides-to-side bars to accommodate hanging folders
- Full width pulls standard
- Optional counter balance kit

Specifying Lateral Files

Model number logic explanation: LF3642

LF - Lateral file

30 - 30" wide file

36 - 36" wide file

42 - 42" wide file

2 - 2 drawers

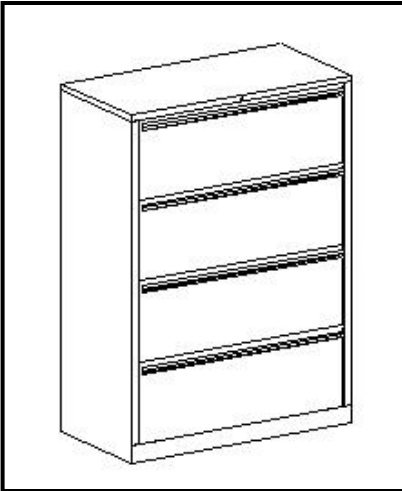
3 - 3 drawers

4 - 4 drawers

5 - 5 drawers

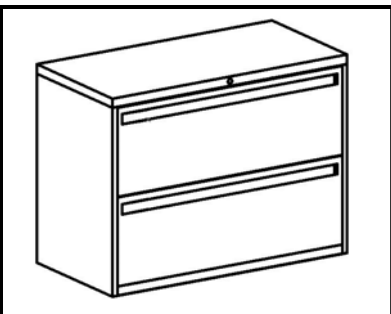
2 - Lock

Lateral Files - Heavy Duty LF Series - 30", 36", 42" Width



Model	Size	Description	Cube	Weight	Price
LF 3022	27.5h x 18d	2 Drawer 30" with lock	12.3	131	\$ 979.00
LF 3032	39.5h x 18d	3 Drawer 30" with lock	16.7	152	\$1,295.00
LF 3042	51.5h x 18d	4 Drawer 30" with lock	20.8	168	\$1,605.00
LF 3052	63.5h x 18d	5 Drawer 30" with lock	25.1	201	\$1,915.00
CW30		Counter Balance Kit			\$ 160.00

Model	Size	Description	Cube	Weight	Price
LF 3622	27.5h x 18d	2 Drawer 36" with lock	14.4	140	\$1,081.00
LF 3632	39.5h x 18d	3 Drawer 36" with lock	19.6	168	\$1,442.00
LF 3642	51.5h x 18d	4 Drawer 36" with lock	24.7	186	\$1,828.00
LF 3652	63.5h x 18d	5 Drawer 36" with lock	29.9	211	\$2,059.00
CW36		Counter Balance Kit			\$ 184.00



Model	Size	Description	Cube	Weight	Price
LF 4222	27.5h x 18d	2 Drawer 42" with lock	16.6	154	\$1,244.00
LF 4232	39.5h x 18d	3 Drawer 42" with lock	22.6	180	\$1,635.00
LF 4242	51.5h x 18d	4 Drawer 42" with lock	28.6	227	\$2,047.00
LF 4252	63.5h x 18d	5 Drawer 42" with lock	34.6	232	\$2,430.00
CW42		Counter Balance Kit			\$ 199.00

Lateral files are limited to the following colors:

Beige, Black, Graphite,
Mercury, Putty

Model	Size	Description	Cube	Weight	Price
FTBR		Front to Back Bars			\$ 52.00
LATDIV		Lateral File Dividers			\$ 52.00
MLH		Magnetic Label Holder			\$ 31.00

Lateral Files - Recessed Pull

Features

- 30", 36", 42" width case
- File letter or legal width hanging folders
- Reinforced steel base
- 4 vertical uprights
- Adjustable glides standard on each corner
- Safety interlock standard
- Full extension steel ball bearing suspension
- Standard with sides-to-side bars to accommodate hanging folders
- Recessed pulls standard
- Optional counter balance kit

Specifying Lateral Files

Model number logic explanation: LR3642

LR - Lateral file

30 - 30" wide file

36 - 36" wide file

42 - 42" wide file

2 - 2 drawers

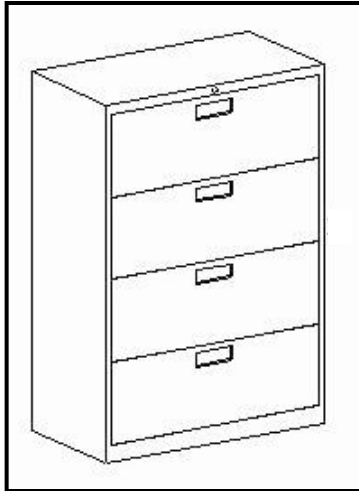
3 - 3 drawers

4 - 4 drawers

5 - 5 drawers

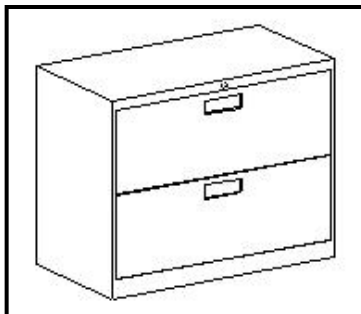
2 - Lock

Lateral Files - LR Series - 30", 36", 42" Width



Model	Size	Description	Cube	Weight	Price
LR 3022	27.5h x 18d	2 Drawer 30" with lock	12.3	131	\$ 928.00
LR 3032	39.5h x 18d	3 Drawer 30" with lock	16.7	152	\$1,192.00
LR 3042	51.5h x 18d	4 Drawer 30" with lock	20.8	168	\$1,484.00
LR 3052	63.5h x 18d	5 Drawer 30" with lock	25.1	201	\$1,764.00
CW30		Counter Balance Kit			\$ 160.00

Model	Size	Description	Cube	Weight	Price
LR 3622	27.5h x 18d	2 Drawer 36" with lock	14.4	140	\$1,006.00
LR 3632	39.5h x 18d	3 Drawer 36" with lock	19.6	168	\$1,271.00
LR 3642	51.5h x 18d	4 Drawer 36" with lock	24.7	186	\$1,623.00
LR 3652	63.5h x 18d	5 Drawer 36" with lock	29.9	211	\$1,912.00
CW36		Counter Balance Kit			\$ 184.00



Model	Size	Description	Cube	Weight	Price
LR 4222	27.5h x 18d	2 Drawer 42" with lock	16.6	154	\$1,144.00
LR 4232	39.5h x 18d	3 Drawer 42" with lock	22.6	180	\$1,499.00
LR 4242	51.5h x 18d	4 Drawer 42" with lock	28.6	227	\$1,897.00
LR 4252	63.5h x 18d	5 Drawer 42" with lock	34.6	232	\$2,083.00
CW42		Counter Balance Kit			\$ 199.00

Lateral files are limited to the following colors:

Beige, Black, Graphite,
Mercury, Putty

Model	Size	Description	Cube	Weight	Price
FTBR		Front to Back Bars			\$ 52.00
LATDIV		Lateral File Dividers			\$ 52.00
MLH		Magnetic Label Holder			\$ 31.00

Bookcases

Features

- 12" Deep case or 15"
- Adjustable shelves
- Reinforced steel base
- 20 gauge steel case
- Adjustable glides standard on each corner
- 2 widths
- 29" High - 30" High - 42" High - 60" High

Specifying Bookcase

Model number logic explanation: PBC2912-36

PBC - Bookcase

29 - 29" high

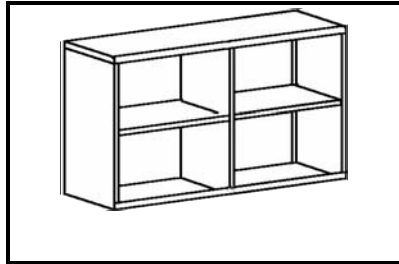
42 - 42" high

60 - 60" high

12 - 12" deep

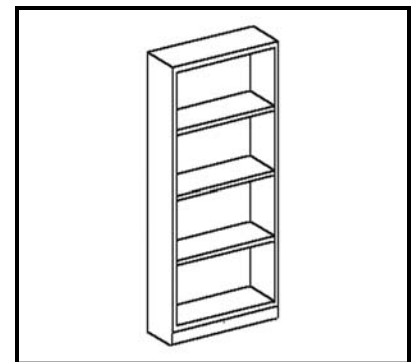
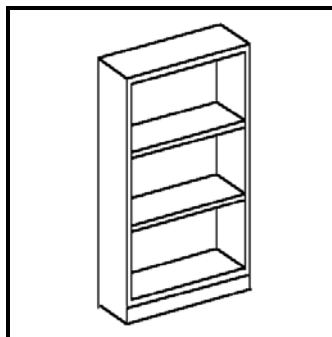
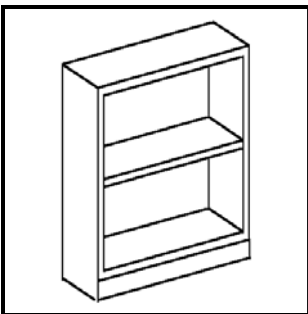
36 - 36" wide

Heavy Duty Bookcase - 48" Wide



Model	48" Size	Description	Cube	Weight	Price
PBC 3015-48	30h x 15d x 48w	Bookcase - Center Divider 2 shelf 2 fixed 2 adjustable	10	63	\$566.00

Heavy Duty Bookcase - 36" Wide



Model	Size	Description	Cube	Weight	Price
PBC 2912-36	29h x 12d x 36w	Bookcase - 2 shelf 1 fixed 1 adjustable	10	50	\$368.00
PBC 4212-36	42h x 12d x 36w	Bookcase - 3 shelf 1 fixed 2 adjustable	15	60	\$527.00
PBC 6012-36	60h x 12d x 36w	Bookcase - 4 shelf 1 fixed 3 adjustable	21	80	\$675.00

Storage Towers

Features

- 24" Deep case
- Reinforced steel case
- 20 gauge steel case
- Adjustable glides standard on each corner
- 2, 3, & 4 Drawer File configuration
- Steel ball bearing suspensions
- 1 adjustable shelf
- Heavy duty adjustable hinges
- Garment rod
- Central locking
- 17 gauge door & drawer fronts

Custom Towers available on a special order basis.

Contact **Sabatini & Associates** at **800-980-9454**.

Storage Tower - 24" Wide, Letter File Drawers, Wardrobe and Storage Unit



Model	Size	Description	Cube	Weight	Price
ST6442-L	24" w x 64"h	2 File drawers right w/ hinged door storage above and 1 adjustable shelf. Full hinged door left w/ garment rod.	21.5	170	\$1,888.00
ST6442-R	24" w x 64"h	2 File drawers left w/ hinged door storage above and 1 adjustable shelf. Full hinged door right w/ garment rod.	21.5	170	\$1,888.00
ST6443-L	24" w x 64"h	3 File drawers right w/ hinged door storage above and 1 adjustable shelf. Full hinged door left w/ garment rod.	21.5	178	\$1,951.00
ST6443-R	24" w x 64"h	3 File drawers left w/ hinged door storage above and 1 adjustable shelf. Full hinged door right w/ garment rod.	21.5	178	\$1,951.00
ST6444-L	24" w x 64"h	4 File drawers right w/ hinged door storage above and 1 adjustable shelf. Full hinged door left w/ garment rod.	21.5	186	\$2,014.00
ST6444-R	24" w x 64"h	4 File drawers left w/ hinged door storage above and 1 adjustable shelf. Full hinged door right w/ garment rod.	21.5	186	\$2,014.00

Stadium Lockers

Features

- 24" square base
- Foot locker standard
- 16 gauge steel case
- Adjustable glides standard on each corner
- Single and Double configuration
- Reinforced steel case
- Ships fully assembled

ADD on Features

Shoulder pad Rack	\$ 34.00
Shoe Tree per Pair	\$ 25.00
Ganging Bracket (with bolts)	\$ 13.00
Security Box	\$103.00

Custom Lockers available on a special order basis.

Contact **Sabatini & Associates at 800-980-9454.**

Stadium Locker



Model	Size	Description	Cube	Weight	Price
AL2472	24" x 24" x 72" H	Single Unit Stadium Locker with metal seat and 4 Double hooks	24	145	\$1,328.00
AL2472V		Above with Vinyl Foam Seat	24	145	\$1,385.00
AL2472W		Above with Wood Seat	24	145	\$1,397.00
AL4872	48" x 24" x 72" H	Double Unit Stadium Locker with metal seat and 8 Double hooks	48	295	\$2,321.00
AL4872V		Above with Vinyl Foam Seat	48	295	\$2,384.00
AL4872W		Above with Wood Seat	48	295	\$2,390.00
AL2418	24" x 24" x 18" H	Single Foot Locker with metal seat	6	45	\$ 717.00
		Above with Vinyl Foam Seat	6	45	\$ 777.00
		Above with Wood Seat	6	45	\$ 786.00
AL4824	48" x 24" x 18" H	Double Foot Locker with metal seat	12	90	\$1,159.00
		Above with Vinyl Foam Seat	12	90	\$1,223.00
		Above with Wood Seat	12	90	\$1,229.00

Accessories

Keyboard Trays



Model	Size	Description	Cube	Weight	Price
KBSD1		Fully Articulating 360 swivel	.1		\$ 205.00
KBSD3		Fully Articulating 360 swivel with mouse & Wrist Rest	.1		\$ 301.00
KBS		Keyboard drawer	.1		\$223.00

Center Drawer Kit –Dictation Slide Option - Task Light



Model	Size	Description	Cube	Weight	Price
CDW		Center Drawer Kit		9	\$ 226.00
DS		Dictation Slide Option		18	\$ 229.00
TL24		Task Light—24"		6	\$253.00
TL36		Task Light—36"		8	\$274.00
TL48		Task Light—48"		10	\$311.00

Drawer Dividers - Master Keys - Locks - Keys

Model	Size	Description	Cube	Weight	Price
Drawer Divider		Drawer Dividers for Box & File drawer			\$13.00
Master Key		Master Key			\$40.00
		Locks			\$49.00
		Extra Keys			\$34.00